

The Collection

by MICHAEL MILLER

Da Vinci Illumia MK3, Giuliano Illumia MK3 & Monet Illumia MK3

CONVENTIONAL FLUE LOG EFFECT GAS FIRE

Installation, Maintenance & User Instructions

Hand these instructions to the user

Model No. DDCLRN3 is only for use on Natural Gas (G20) at a supply pressure of 20 mbar in G.B. / I.E.**

**** denotes cosmetic variant**

Information Requirements for Commission Regulation (EU) 2015/1188

Model Identifier	DDCL**RN3
Indirect Heating Functionality	No
Direct Heat Output	6.8kW
Indirect Heat Output	Not Applicable
Fuel	Natural Gas (G20)
NOx Emissions	130mg/kWh
Nominal Heat Output	6.8kW
Minimum Heat Output (Indicative, all models)	1.9kW
Useful Efficiency at Nominal Heat Output	71.9%
Useful Efficiency at Minimum Heat Output (Indicative)	50.0%
Auxilliary Power Consumption at Nominal Heat Output	0.03kW
Auxilliary Power Consumption at Minimum Output	0.03kW
Auxilliary Power Consumption at Standby Mode	0.03kW
Permanent Pilot Flame Requirement	N/A
Type of Heat Output / Room Temperature Control	With electronic room temperature control plus week timer
Contact Details	BFM Europe Ltd. Gordon Banks Drive Trentham Lakes North Stoke-on-Trent ST4 4TJ Tel : 01782 339000

CONTENTS

Section 1	Information and Requirements	PAGE
1.0	Appliance Information	3
1.1	Conditions of Installation	4
1.2	Flue and chimney suitability	4
1.3	Fireplace / surround suitability	5
1.4	Shelf position	5
1.5	Chimney inspection	5
1.6	Fire place opening / catchment space	6-7
1.7	Chair bricks	7
1.8	Metal flue boxes	7
1.9	Fitting with a direct flue adaptor	7
1.10	Spillage monitoring system	8
Section 2	Installation of Fire	
2.1	Unpacking the fire	9
2.2	Installing the fire box	9-16
2.3	Making the electrical connection	16
2.4	Installation of lamps	17-18
2.5	Gas tightness and inlet pressure	19
2.6	Installation of surrounds	20-22
Section 3	Assembling Fuel Bed and Commissioning	
3.1	Fitting the log fuelbed	23-27
3.2	Operating the fire	28-34
3.2.1	Basic operation of the fire in manual mode	29-33
3.3.1	Advanced operation modes of the fire	34-39
3.4	Fitting the handset wall bracket	39
3.5	Instructing the user / product handover	39
3.6	Checking for clearance of combustion products	40
3.7	Fitting the flue restrictor baffle	41
Section 4	Maintenance	
4.1	Removal of the burner assembly	41
4.2	Removal of the control valve	41-42
4.3	Removal of the oxypilot	42
4.4	Removal of the receiver unit	43
4.5	Replacing the battery in the handset	44
4.6	Access and checking the flue debris void	44
4.7	Removal of the second thermocouple	44
4.8	Removal of the solenoid valve	44
4.9	Wiring diagram	45
4.10	Spare parts shortlist	46
Section 5	User Instructions Section	
5.1	Conditions of installation	47
5.2	About your new fire	48
5.3	Basic operation of the fire in manual mode	49-55
5.4	Advanced operation modes of the fire	55-60
5.5	Removal / re-fitting the glass frame assembly	61-62
5.6	Removal / replacement of the fuelbed - competent person required	62
5.7	Cleaning instructions	63
5.7	User replaceable parts	64

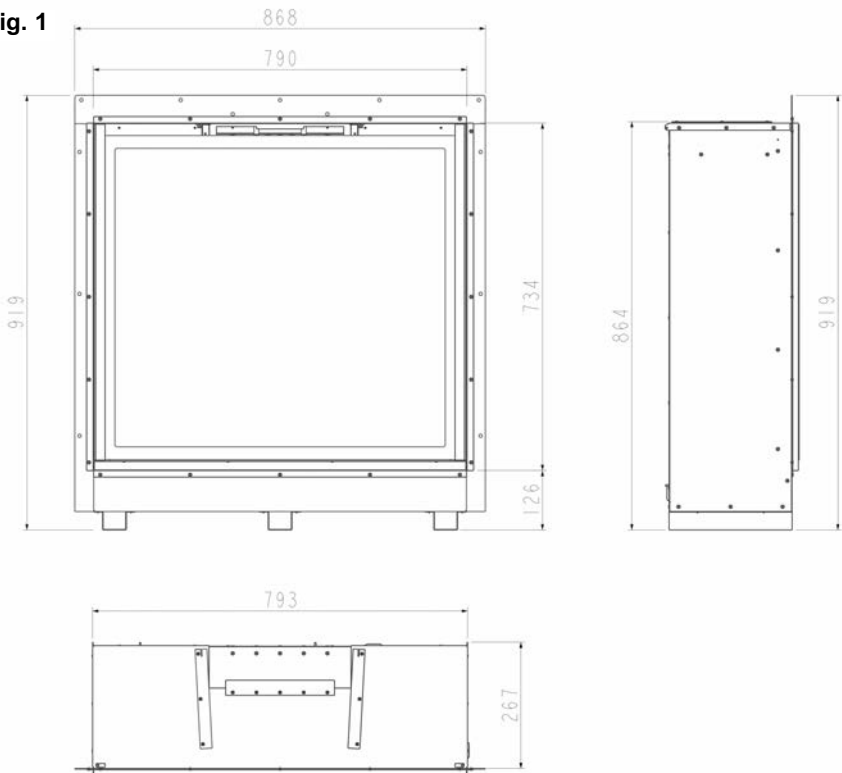
This appliance is manufactured by :- BFM Europe Ltd, Trentham Lakes, Stoke-on-Trent, ST4 4TJ.

SECTION 1 INFORMATION AND REQUIREMENTS

1.0 APPLIANCE INFORMATION

Model	DDCL**RN3
Gas Type	G20
Injectors (3 off)	Cat 82 size 240 (ceramic tipped)
Pilot Type	ERTA PG-82-770
Maximum Gross Heat Input :	10.5kW (all burners operational)
Minimum Gross Heat Input :	4.4kW (all burners operational)
Minimum Gross Heat Input :	3.8kW (single burner operational only)
Cold Pressure :	20.0 +/-1.0 mbar
Ignition :	Via remote, integral to control system
Electrode Spark Gap	4.0mm
Packed Weight	90kg
Gas Connection :	8mm Compression (supplied with fire)
Supply Voltage :	230V a.c.
Supply Frequency :	50Hz
Supply Fuse :	3 Amp to BS 1362
Electrical Supply Required	230v AC, 50Hz
IP Rating	IPX0

Fig. 1



INSTALLATION REQUIREMENTS

1.1 CONDITIONS OF INSTALLATION

It is the law that all gas appliances are installed only by a GAS SAFE Registered Installer, in accordance with these installation instructions and the Gas Safety (Installation and Use) Regulations 1998 as amended. Failure to install appliances correctly could lead to prosecution. It is in your own interest and that of safety to comply with the law.

The installation must also be in accordance with all relevant parts of the Local and National Building Regulations where appropriate, the Building Regulations (Scotland Consolidation) issued by the Scottish Development Department, and all applicable requirements of the following British Standard Code of Practice.

1. B.S. 5871 Part 2 Installation of Inset Fuel Effect Gas Fires
2. B.S. 6891 Installation of Gas Pipework
3. B.S. 5440 Parts 1 & 2 Installation of Flues and Ventilation
4. B.S. 1251 Open fire place components
5. B.S. 715 Metal flue pipes for gas appliances
6. B.S. 6461 Part 1 Installation of Chimneys and flues
7. B.S. E.N. 1858 Chimneys Components & Concrete Flue Blocks
8. I.S. 813 : 1996 Domestic Gas Installation (Republic of Ireland)

This appliance has an input above 7kW and therefore requires additional ventilation with a minimum open area of 17.5cm². If spillage is encountered during installation however this may indicate insufficient natural ventilation and this ventilation size may require increasing accordingly.

When Installing in I.E. please consult document I.S. 813 : 1996 Domestic Gas Installation, which is issued by the National Standards Authority of Ireland. If installing in Northern Ireland, please consult local building regulations. Any purpose made ventilation must be checked periodically to ensure that it is free from obstruction.

1.2 FLUE AND CHIMNEY SUITABILITY

This appliance is designed for use with conventional brick built or lined chimneys and fabricated flues conforming to BS 715. All flues must conform to the following minimum dimensions.

Minimum diameter of circular flues	125 mm (Without Flue Restrictor Fitted)
Minimum effective height of all flue types	4 metres

When fitting to conventional chimneys or 175mm flues it may be desirable to leave the flue restrictor baffle (supplied) in place to reduce the flue flow and increase the efficiency of the fire. Safe clearance of products must always be checked by carrying out a smoke match test as described.

1.3 FIREPLACE / SURROUND SUITABILITY

The fire must only be installed with a hearth it **must not be installed directly onto carpet or other combustible floor materials**. Any surround design not supplied by BFM Europe must still conform to the required surround dimensions as issued by the manufacturer. Please contact BFM Europe Ltd for further details. If a heating appliance is fitted directly against a wall combustible material must be removed from behind it. Soft wall coverings such as blown vinyl, wall paper etc. could be affected by the rising hot air and scorching and/or discoloration may result. Due consideration should be made to this when installing or decorating.

1.4 SHELF POSITION

The fire must not be fitted below a combustible shelf. Any surround design not supplied by BFM Europe must still conform to the required surround dimensions as issued by the manufacturer. Please contact BFM Europe Ltd for further details.

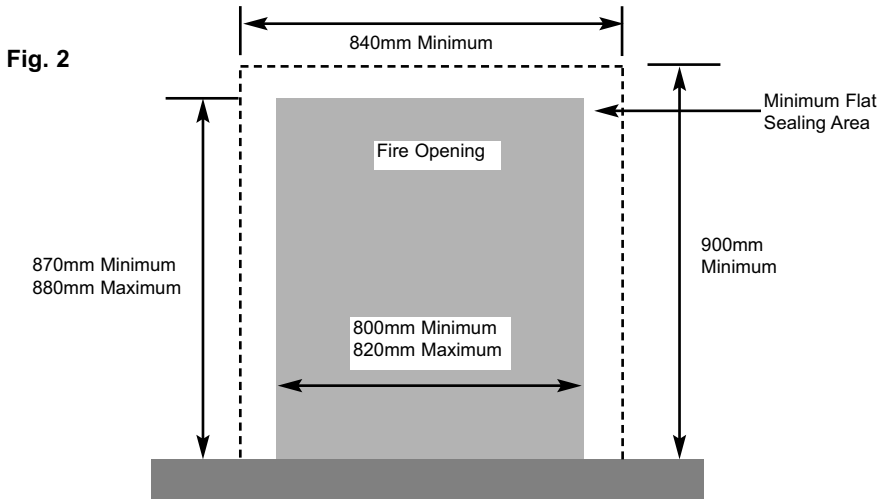
1.5 FLUE / CHIMNEY INSPECTION

Before commencing installation, a flue or chimney should be inspected to ensure that all the following conditions are satisfied.

1. Check that the chimney / flue only serves one fire place and is clear of any obstruction. Any dampers or register plates must be removed or locked in the open position.
2. Brick/stone built chimneys or any chimney or flue which has been used for an appliance burning fuel other than gas must be thoroughly swept. The base of the chimney / flue must also be thoroughly cleared of debris etc.
3. Any under-floor air supply to the fire place must be completely sealed off
4. Ensure that the inside of the chimney / flue is in good condition along it's length and check that there is no leakage of smoke through the structure of the chimney during and after the smoke pellet test.
5. **Using a smoke pellet, check that there is an up-draught in the chimney / flue and that the smoke can be seen issuing from the terminal / chimney pot outside.**
There must be no leakage of smoke through the structure of the chimney during or after the smoke pellet test and it is important to check inside upstairs rooms adjacent to the chimney / flue. Check the chimney pot / terminal and general condition of the brickwork or masonry. If the chimney or flue is in poor condition or if there is no up-draught do not proceed with the installation. If there is a history of down-draught conditions with the chimney / flue, a tested and certificated flue terminal or cowl suitable for the relevant flue type should be considered.
6. **A spillage test must always be carried out during commissioning of the appliance.**

1.6 FIRE PLACE OPENING AND CHIMNEY CATCHMENT SPACE

The front opening of the fire place must be between 800mm and 820mm wide, and between 870mm and 880mm high. If the opening exceeds these dimensions then a surround must be constructed from suitable non-combustible material to produce a correct size opening. The fire must be suitably sealed to the fireplace opening to prevent leakage. See below in figure 2.

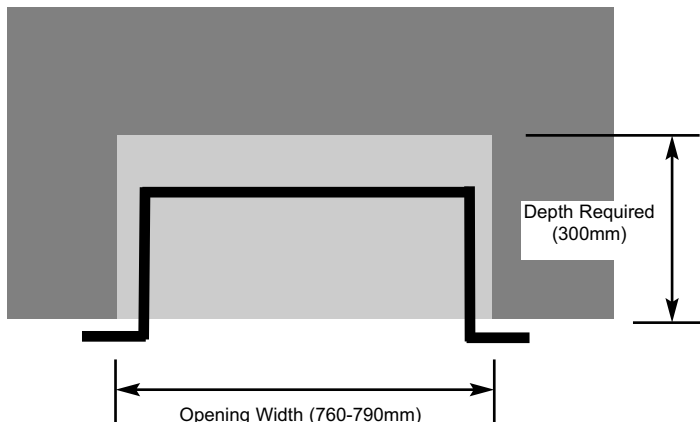


When installing into a brick built chimney, you must ensure that there is sufficient depth to accommodate any debris which may fall from the chimney. This depth must be sufficient to accommodate 12 litres of volumetric space in a conventional brick built chimney.

Table A - Installation Depth Requirements for The Collection Da Vinci / Giuliano / Monet being installed into a brick built chimney, requiring 12.0 litres of debris collection volume (fig. 3).

Opening Width (mm)	Minimum Depth Required (mm)
800-820mm	300mm

Fig. 3



1.7 FITTING TO FIREPLACES WITH EXISTING CHAIRBRICKS AND CONVENTIONAL BRICKBUILT CHIMNEYS

This appliance is not suitable for use in fireplaces fitted with an existing chairbrick without the removal of the chairbrick.

1.8 FITTING TO PRE-FABRICATED TWIN WALL METAL FLUE BOXES

The appliance may be fitted to twin wall metal flue boxes conforming to the constructional requirements of BS 715. The top face of the box must be insulated with a minimum thickness of 50mm of non-combustible mineral wool insulation or similar material. The flue box must stand on a non-combustible base of minimum thickness 12mm. A suitable box is available from the manufacturer, please quote part number 1196-1010387.

1.9 FITTING WITH DIRECT FLUE CONNECTION

This appliance may be fitted with a direct flue connection via the use of an optional flue adaptor, part number 1196-1004534. The minimum effective flue height must conform with section 1.2, if fitting with the flue adaptor the restrictor must not be installed.

1.10 SPILLAGE MONITORING SYSTEM

This appliance is fitted with an atmosphere sensing spillage monitoring system in the form of an oxygen sensing burner. This is designed to shut the fire off in the event of a partial or complete blockage of the flue causing a build up of combustion products in the room in which the fire is operated. **The following are important warnings relating to this spillage monitoring system :-**

- 1) The spillage monitoring system must not be adjusted by the installer.
- 2) The spillage monitoring system must not be put out of operation.
- 3) When the spillage monitoring system is exchanged only a complete original manufacturers part may be fitted.

SECTION 2 INSTALLATION OF FIRE

2.1 UNPACKING THE FIRE

Carefully lift the fire out of the carton. Remove the loose item packaging, check the contents as listed below :-

NOTE : DO NOT UNDER ANY CIRCUMSTANCES USE THIS APPLIANCE IF THE GLASS PANEL IS BROKEN OR NOT SECURELY FIXED TO THE FIREBOX.

Packing Check List - All Models

Pack 1 of 1 - Combustion Chamber Pack

- 1 off Combustion chamber & glass frame assembly
- 1 off Boxed ceramic fuel-bed set (packed inside combustion chamber)
- 1 off Installation / user instruction manual & guarantee card
- 1 off Loose items pack – containing :- 2 off AAA battery, remote handset,
1 off fixing kit, 1 off handset wall brkt (inc. fixings),
1 off glass removal tool, 1 off downlight kit, 1 off restrictor baffle & fixing screws, 2 off bags of vermiculite, 4 off nylon wallplugs,
4 off 30mm woodscrews, 4 off No. 12 x 40mm screws.

2.2 INSTALLING THE FIRE BOX

Establish which type of flue you are intending to install the fire in to :-

225 x 225mm (9 inch x 9 inch) brick built chimneys

175mm (7 inch) diameter lined brick or stone flue, or insulated pre-fabricated metal flue box to B.S. 715.

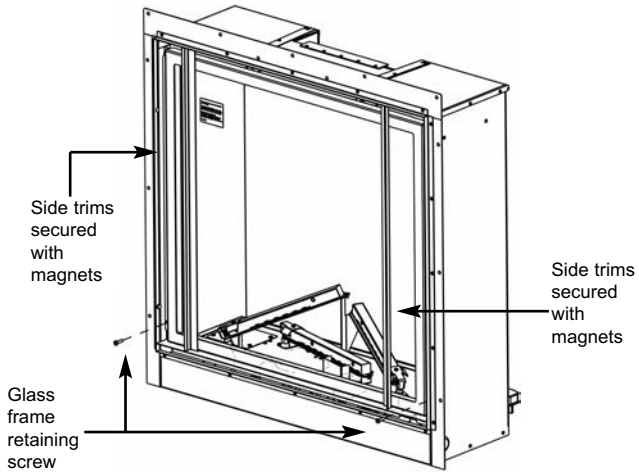
When installing into 125mm (5 inch) diameter lined brick or stone flue, or insulated pre-fabricated metal flue box to B.S. 715, the restrictor baffle must not be fitted.

A spillage test must always be carried out to check satisfactory clearance of flue products, regardless of the type of flue the appliance is being fitted to.

It is recommended that the fire is installed and commissioned including a spillage test before fitting the fire surround.

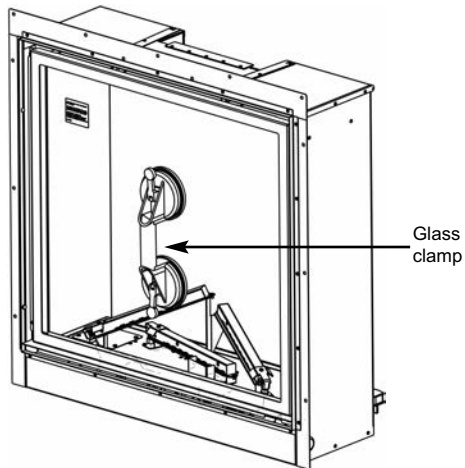
- 2.2.1 Remove both the side trims which are held in place by the magnets then remove the glass frame securing screws as below in figure 4

Fig. 4



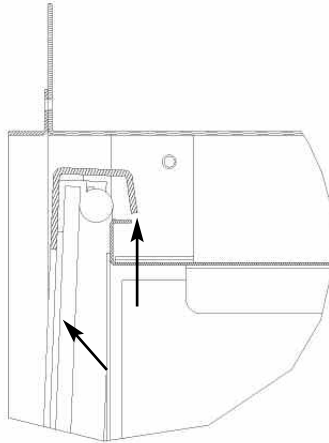
- 2.2.2 Secure the glass clamp to the glass panel as shown below in figure 5, to remove. See figure 6 overpage which shows how the glass frame is located on the top of the combustion chamber.

Fig. 5



- 2.2.3 Unhook the glass panel from the top retaining channel by lifting towards you as shown below in figure 6 (sectional view shown through product for clarity).

Fig. 6

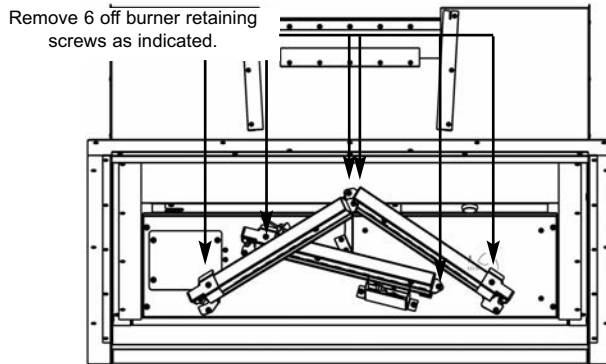


- 2.2.4 Store the glass frame assembly in a safe place.
- 2.2.5 Re-assemble in reverse order when re-fitting the glass assembly.
- 2.2.6 Ensure that the glass assembly is correctly located on the top flange of the combustion chamber, this can be achieved by putting your hand onto the top edge of the glass frame inside the convection air aperture and pushing down firmly to check the glass frame is correctly located.**

DO NOT OPERATE THE FIRE WITHOUT THE GLASS FRAME ASSEMBLY IN POSITION OR NOT CORRECTLY LOCATED.

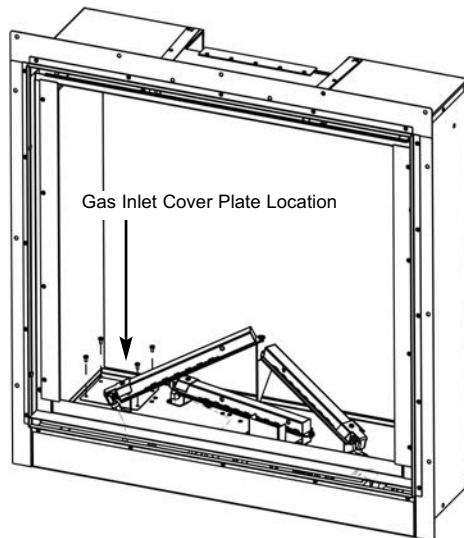
2.2.7 Remove the 3 off burners which are secured with 1 off screw at each end as shown below in figure 7.

Fig. 7



2.2.8 Locate the gas inlet / restrictor elbow cover at the left hand side of the burner unit as shown below in figure 8.

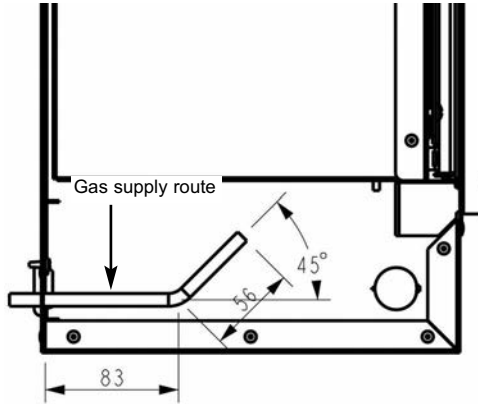
Fig. 8



2.2.9 Remove the 4 off screws that hold the gas inlet cover plate in position, as shown in figure 8 above.

2.2.10 Run the gas supply pipe to the restrictor / pressure test point elbow, as shown in figure 9 below.

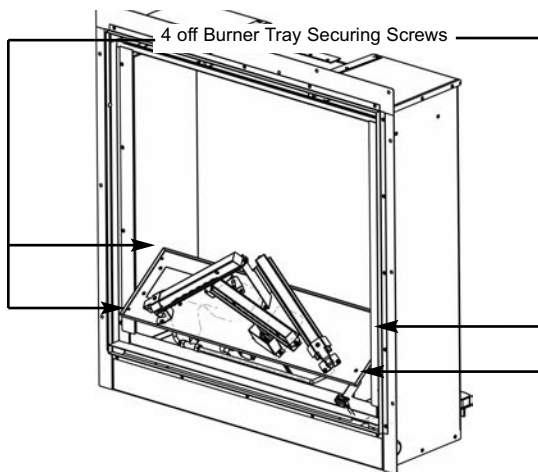
Fig. 9



2.2.11 When the gas supply pipe to the fire has been routed, before the connection has been made it is necessary to make the electrical connection as detailed in section 2.3

2.2.12 To gain access to the electrical module, the burner tray must be removed. To remove the burner tray, remove the 4 off securing screws as shown below in figure 11.

Fig. 11



- 2.2.13 The gas connection to the appliance should be made to the isolating / inlet elbow using 8mm rigid tubing. There must be no soldered joints within the firebox.
- 2.2.14 Ensure that the hearth is protected from damage and carefully lift the fire box into the fire opening, then slide it back into position. Check that the fire box flange fits flush to the sealing face of the fire surround or wall with no gaps present.

Note : Before breaking into the gas supply a pressure drop test should be carried out to establish that the existing pipework is sound.

- 2.2.16 Carefully withdraw the fire box from the opening to enable the gas supply and fire fixing to be completed.

There is a choice of methods of fixing the firebox which are provided to enable the installer to deal with any type of installation.

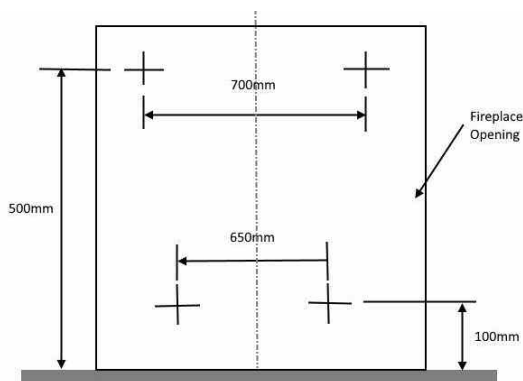
The preferred method of fixing which is suitable for almost all situations is the cable fixing method which is described in the following section in detail.

The fire may be secured using the cable method as described below, or alternatively, in installations where the cable method is not suitable (eg. loose masonry in rear of fire opening) the fire box can be directly secured to the fire surround using screw fixings (not provided).

To fit using the **preferred** cable method proceed as follows-

- 2.2.17 Mark out and drill 4 off No 14 (7mm) holes in the back face of the fire opening in the positions shown below in figure 12.

Fig. 12

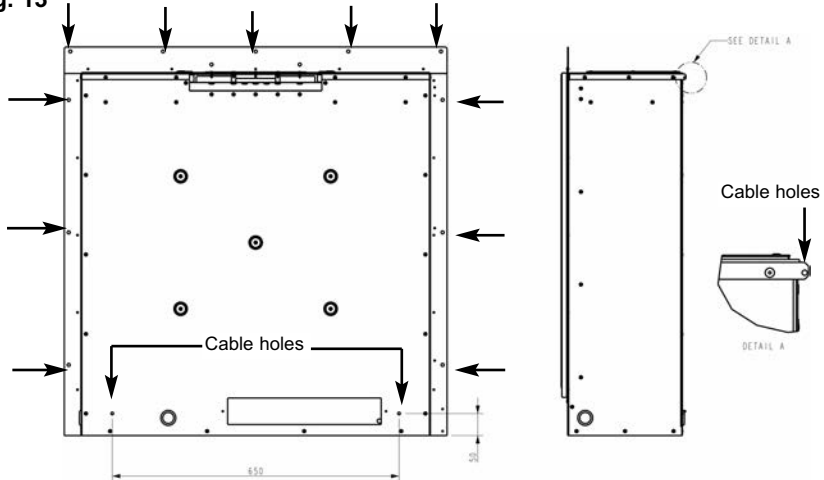


- 2.2.18 Uncoil the two fire fixing cables and thread one end of each of the cables through one of the two cable holes on each side of the rear brackets on the firebox (see figure 13 on page 17 for details of these holes - detail "A")
- 2.2.19 Position the fire carefully on the (protected) surface of the hearth and reach into the fire opening. Thread each of the cables vertically downwards through the pair of fixing eyes on the same side of the fire. Thread the free end of the cables through the corresponding circular hole on each side of the lower rear of the fire. Carefully slide the fire box back into the fire opening and pull both cables tight.
- 2.2.20 Thread a tensioning screw over each of the cables and ensure that the tensioning nut is screwed fully up against the hexagon shoulder of the tensioning screw (this provides maximum travel for the tensioning nut).
- 2.2.21 Fit a screwed nipple on to each of the cables and pull hand tight up against the tensioning screw, then secure each nipple with a flat bladed screwdriver.
- 2.2.22 Evenly tighten the tensioning nuts to tension both cables and pull the fire snugly against the wall. Do not overtighten, it is only necessary to pull the seal up against the sealing face of the wall, it does not need to be compressed. Check that there are no gaps behind the seal.
- 2.2.23 With the fire securely in place, if a concealed gas connection has been made through either of the access holes in the sides or rear of the fire, the holes should be closed around the pipe to prevent leakage of air through the gap around the pipe.
- 2.2.24 Refit the burner in reverse order to which it was removed.
- 2.2.25 Before making the final gas connection, thoroughly purge the gas supply pipework to remove all foreign matter, otherwise serious damage may be caused to the gas control valve on the fire.**

The other firebox fixing method is as follows :-

2.2.26 In installations where the cable method is not suitable (e.g. loose masonry in rear of fire opening) the firebox can be secured to the opening using four screws and wall plugs (not provided). Below (figure 13) is a diagram to indicate the hole centre positions available on the firebox to facilitate the screw fixing to the fireplace / surround.

Fig. 13



2.3 MAKING THE ELECTRICAL CONNECTION.

WARNING : THIS APPLIANCE MUST BE EARTHED AND SHOULD BE PREFERABLY CONNECTED VIA A 3 AMP SWITCHED FIXED FUSED SPUR WITH A MINIMUM CONTACT SEPARATION OF 3MM.
IT MAY HOWEVER BE CONNECTED TO A 3 PIN PLUG TO BS 5733, THAT IS FITTED WITH A 3 AMP FUSE TO BS 1362.

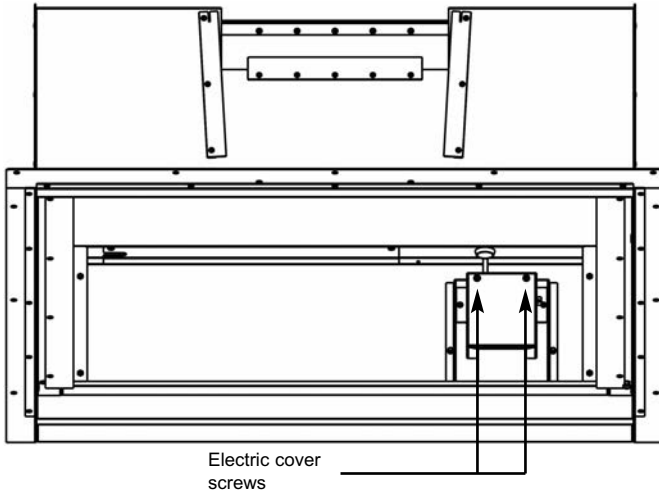
2.3.1 The product is supplied with a mains cable and 3 pin plug fitted. The mains cable will exit the combustion chamber from the rear right hand side (viewed from the front), through the grommet. If the supply cord is damaged, it must be replaced by the manufacturer, it's service agent or similarly qualified persons in order to avoid a hazard.

2.3.2 Plug the mains cable supplied into a suitable socket in close proximity to the appliance or remove the plug and wire into a 3 amp switched fixed fused spur.

2.4 INSTALLATION OF LAMP ASSEMBLIES

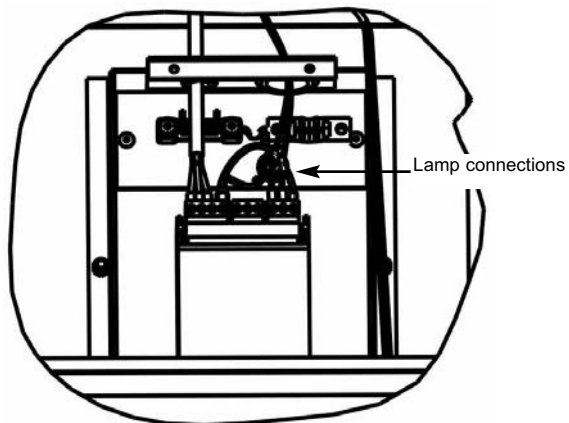
- 2.4.1 Remove two screws from the electric cover as shown below in figure 14.

Fig. 14



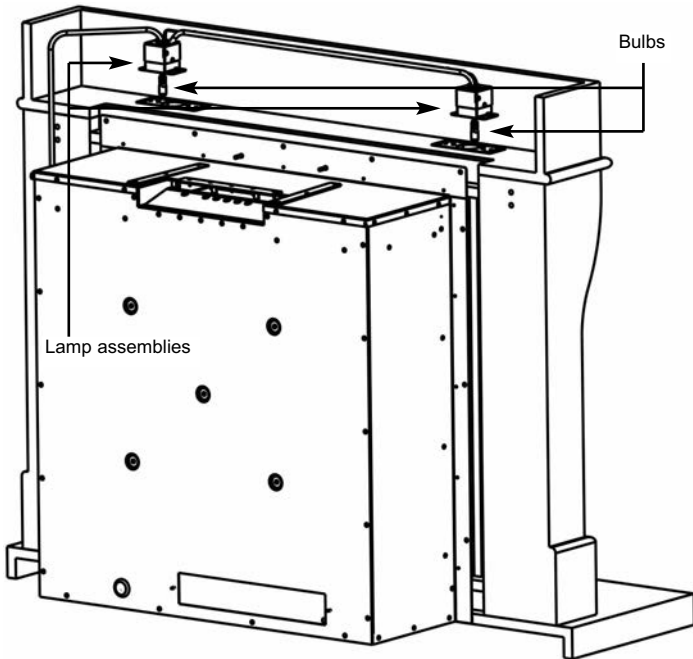
- 2.4.2 Remove two screws from electric cover (see figure 14) and remove cover, feed wiring from lamp assemblies through the grommet in the side of the fire and make connections as shown in figure 15 below.

Fig. 15



- 2.4.3 Re-assemble electrics cover, in reverse order.
- 2.4.4 Route lamp wiring up to surround shelf infill level ensuring that the wiring is kept clear of hot surfaces.
- 2.4.5 Fit the surround up to the point of the shelf infill (refer to section 2.6)
- 2.4.6 The surround lamp assemblies are then fitted to the surround using the two nuts provided, as shown in figure 16 below.
- 2.4.7 Fit the bulbs provided in the loose items pack as shown below in figure 16, then finally fit the surround shelf.

Fig. 16 Shown from rear for clarity



2.5 GAS TIGHTNESS AND INLET PRESSURE

- 2.5.1 Remove the pressure test point screw from the inlet elbow and fit a manometer.
- 2.5.2 Turn on the main gas supply and carry out a gas tightness test.
- 2.5.3 See section 3.2 for full details of the operating method for the fire.
- 2.5.4 Check that the gas pressure is **20.0 mbar (+/- 1.0mbar) 8.0 in w.g.(+/- 0.4 in w.g.)**
- 2.5.5 Turn off the fire, remove the manometer and refit the pressure test point screw. Check the pressure test point screw for gas tightness with the appliance turned on using a suitable leak detection fluid or detector.

PLEASE NOTE - THE WORKING PRESSURE TEST ON THIS PRODUCT NEEDS TO BE COMPLETED WITH THE FUEL-BED LOGS IN POSITION ON THE BURNER AND ALL BURNERS OPERATIONAL AT FULL GAS RATE (10.5kW).

2.6 INSTALLING THE DA VINCI, GIULIANO OR MONET SURROUNDS

- 2.6.1 Unpack the surround from the wooden crate, check all parts are present as per figure 17 (Da Vinci), figure 18 (Giuliano) or figure 19 (Monet) overpage and carefully store the components.
- 2.6.2 The underside of the hearth should be painted with a weak PVA (8 parts water to 1 part PVA). This will prevent staining penetrating through the stone. The hearth must be centered to the opening. If the fireplace is to be installed on a chimney breast ensure that the opening is also centered to the chimney breast. It is essential that the hearth is completely level. The hearth must be bedded down on bonding or an equivalent material. Avoid cement based products and ensure the hearth is firmly fitted and well supported. Allow the bedding material to set before any weight is placed onto the hearth. Wipe off any surplus bonding material with a wet sponge.
- 2.6.3 Fit bottom section to hearth, ensure it is central before fixing with a suitable mastic adhesive.
- 2.6.4 Screw the fixing plates firmly into the rear faces of the legs with the screws and rawlplugs provided.
- 2.6.5 Place the side infills and legs in position using the shelf infill to gauge the correct width. Mark the fixing hole positions on the wall, remove the legs and side infills, cover the hearth with a dust sheet then drill the fixing holes and fit the rawlplugs. Fix the side infills into place with suitable adhesive and replace the legs, securing to the wall with the fixing brackets.
- 2.6.6 Fix the top infill and shelf infill into place again with suitable mastic adhesive.
- 2.6.7 Fit lamp assemblies into position as detailed in section 2.4.8 & 2.4.9.
- 2.6.8 Fit shelf into place ensuring it is correctly centered before sealing with adhesive.
- 2.6.9 Once the fireplace is correctly installed, grout all of the joints including between the fireplace and the wall with a water based cream mastic or tile grout. Ensure all surplus grout is immediately removed by washing the stonework using a sponge and clean water.

Fig. 17

NOTE : It is recommended that a spillage test is completed before fixing / sealing the fire surround in place.

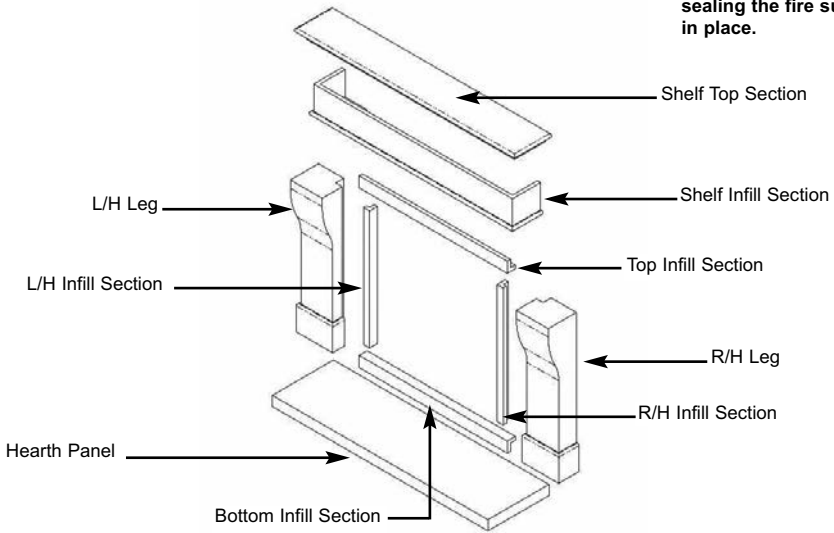


Fig. 18

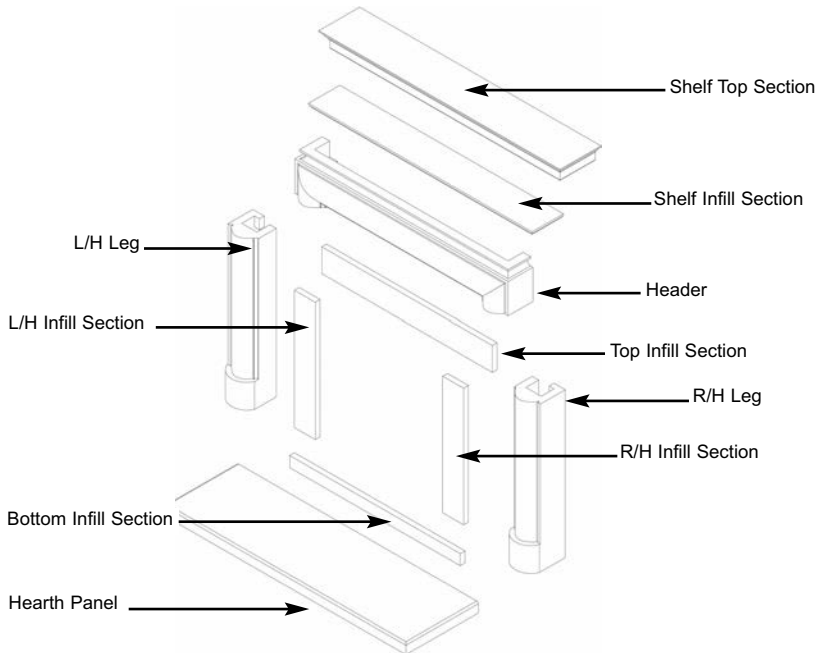
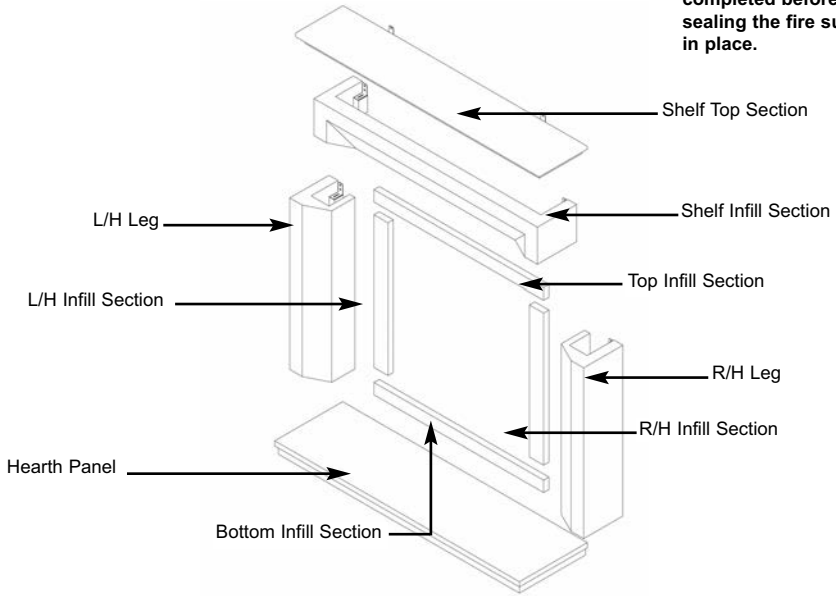


Fig. 19

NOTE : It is recommended that a spillage test is completed before fixing / sealing the fire surround in place.

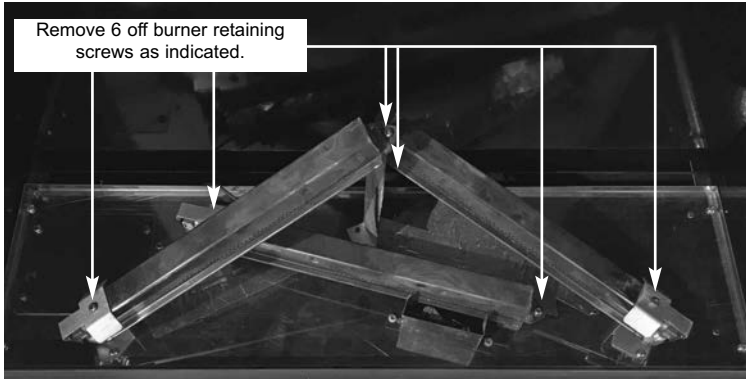


3.1 FITTING THE FUEL-BED LOGSET

DUE TO THE LOGS BEING AN INTEGRAL PART OF THE BURNER SYSTEM ON THIS PRODUCT THEY MUST ONLY BE REMOVED AND REFITTED BY COMPETENT PERSONS.

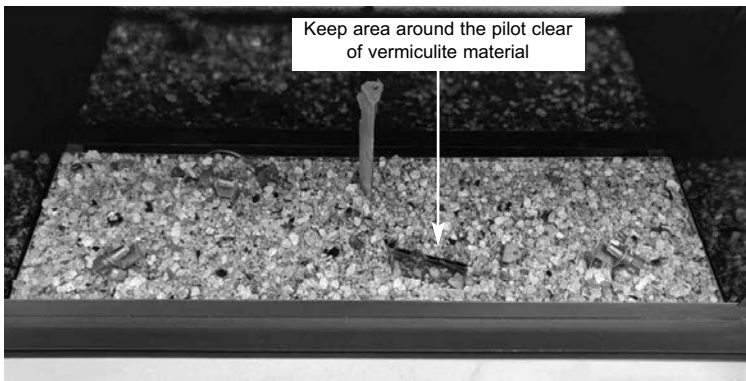
- 3.1.1 Remove the three off burner units from the injectors as shown below in figure 20 by removing the 6 off retaining screws as indicated.

Fig. 20



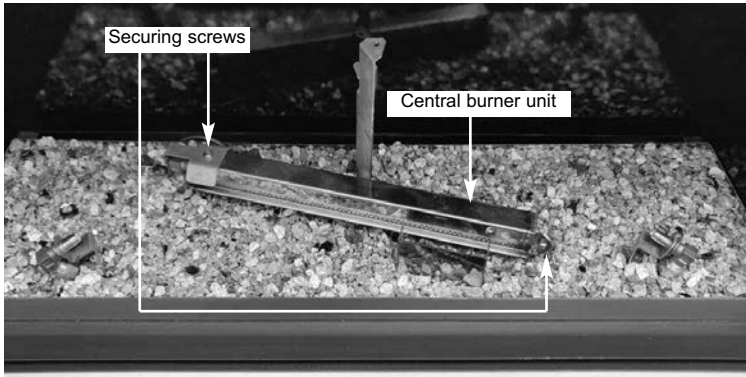
- 3.1.2 Fill the burner tray with vermiculite as shown below in figure 21, ensure the pilot aperture is kept clear of vermiculite material.

Fig. 21



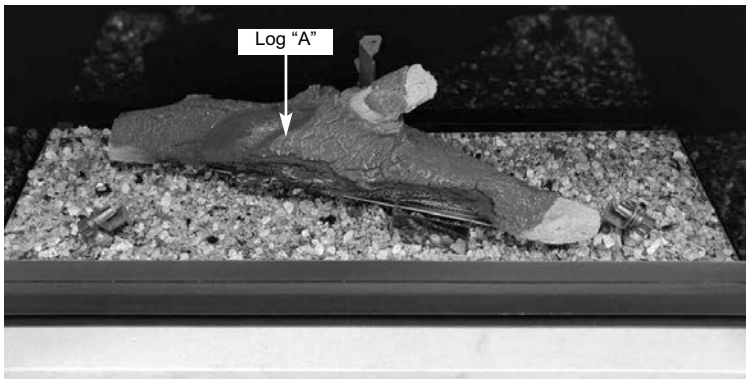
- 3.1.3 Refit the central burner unit as shown below in figure 22, securing via two screws as shown.

Fig. 22



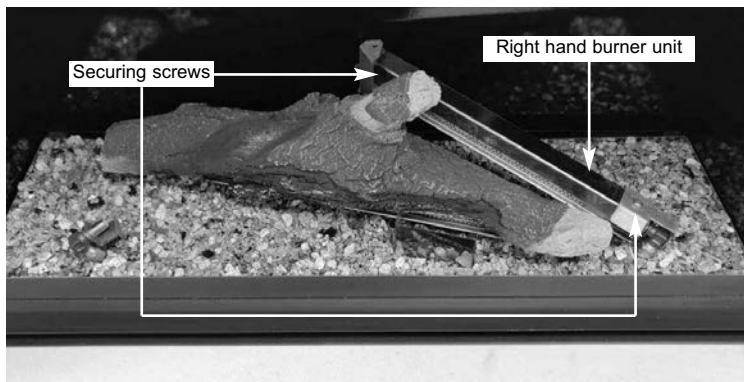
- 3.1.4 Fit log "A" on the central burner unit as shown below in figure 23, using the location slot in the base of the log as a guide to its correct placement.

Fig. 23



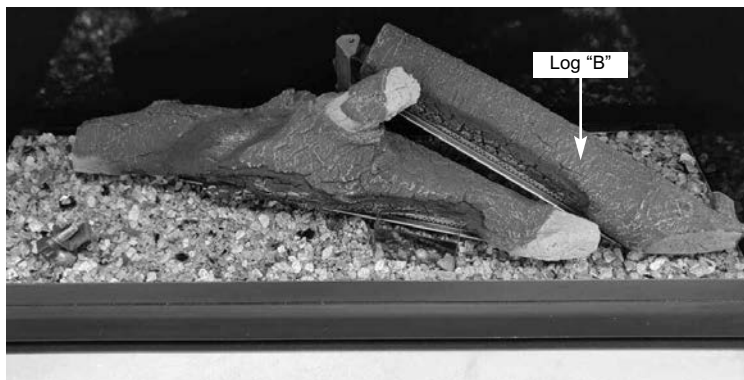
- 3.1.5 Refit the right hand burner unit as shown below in figure 24 securing via two screws as shown.

Fig. 24



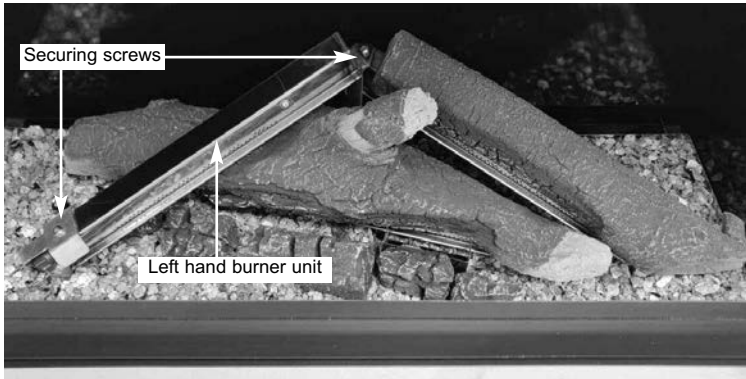
- 3.1.6 Fit Log "B" into position on the right hand burner as shown below in figure 25, using the location slot in the base of the log as a guide to its correct placement.

Fig. 25



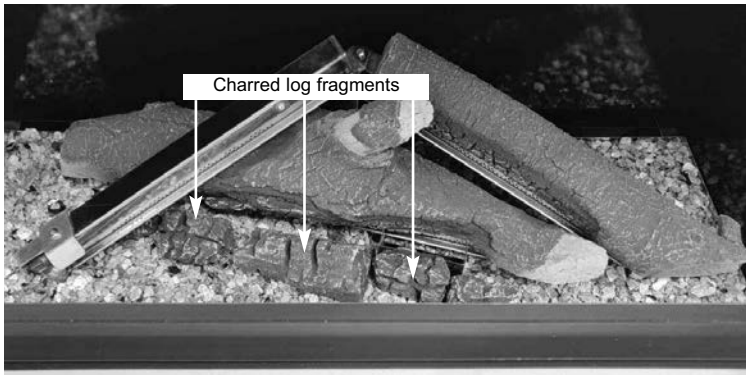
3.1.7 Refit the left hand burner unit as shown below in figure 26 securing via two screws as shown.

Fig. 26



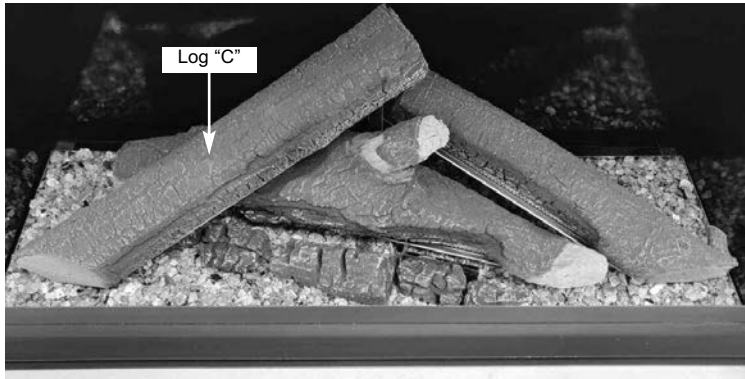
3.1.8 Fit the charred log fragments in front of log "A" as shown below in figure 27.

Fig. 27



- 3.1.9 Fit Log "C" into position on the left hand burner as shown below in figure 28, using the location slot in the base of the log as a guide to its correct placement.

Fig. 28



Warning : Use only the logs supplied with the fire. When replacing the logs remove the old logs and discard them. Fit a complete set of logs of the correct type. Do not fit additional logs or any logs other than a genuine replacement set.

This appliance does not contain any component manufactured from asbestos or asbestos related products.

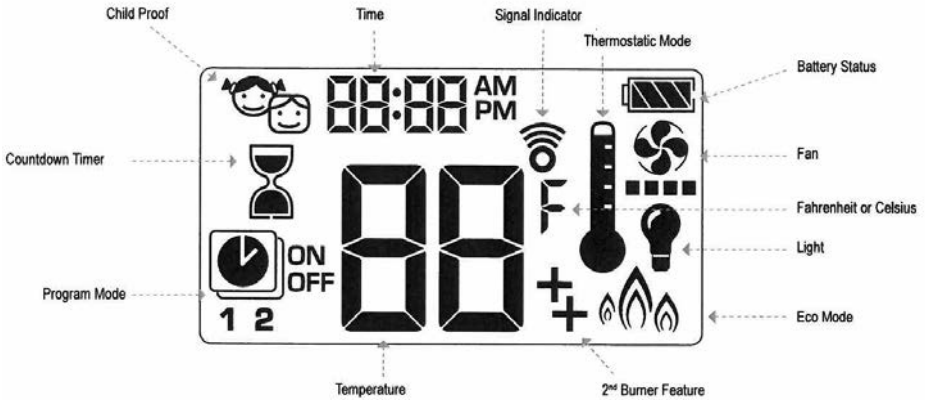
3.2 OPERATING THE FIRE

IMPORTANT : IF THE BURNER IS EXTINGUISHED FOR ANY REASON YOU MUST ENSURE THAT YOU WAIT A FULL FIVE MINUTES BEFORE ATTEMPTING TO RE-LIGHT THE FIRE.

The product is controlled by the remote handset supplied with the fire. Ensure the 2 off AAA batteries as supplied in the loose items pack have been fitted to the remote handset before attempting to use the handset and the mains electrical connection has been made to the product as per section 2.3

The remote handset makes it possible to control the features on the fire as illustrated below in figure 29.

Fig. 29



If young persons are present in the property to which the appliance is installed the child proof feature must be activated. To activate the child proof feature press the on/off button and the downward arrow button simultaneously as displayed below in figure 30. The child proof symbol will illuminate on the handset display as indicated and the handset will be rendered inoperable with the exception of the "OFF" function.

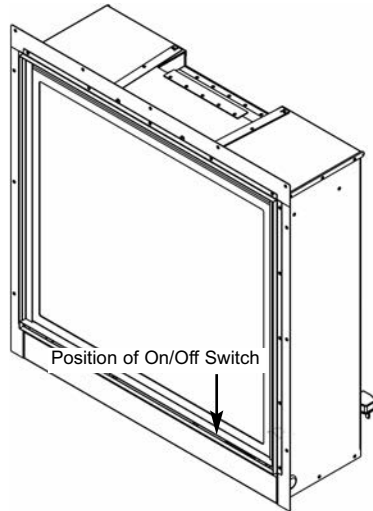
Fig. 30



3.2.1 Basic Operation of the Fire in Manual Mode

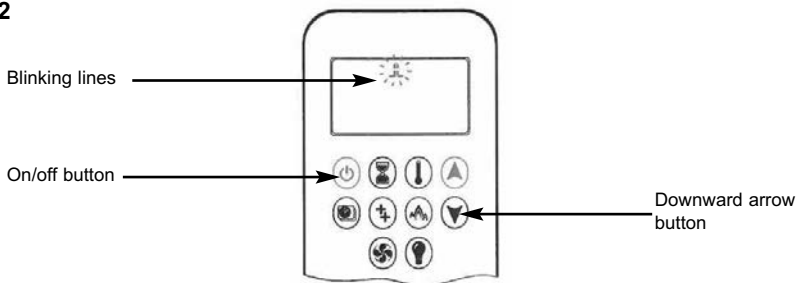
- 3.2.1.1 Locate the ON/OFF switch on the appliance, it is situated below the convection air grill adjacent to the gas inlet elbow. Ensure that the on / off switch on the valve is in the “ON” (1) position as shown below in figure 31.

Fig. 31



- 3.2.1.2 **To light the fire (with child proof feature activated)** press and hold the on / off button and the downwards arrow button to deactivate the child lock. Press the ON / OFF button until you hear two consecutive beeps and a series of blinking lines confirms the ignition sequence has commenced as shown below in figure 32.

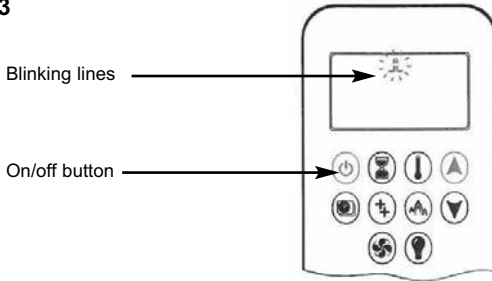
Fig. 32



WARNING : IF THE FIRE FAILS TO LIGHT OR THE FLAMES EXTINGUISH DURING USE, WAIT A MINIMUM OF FIVE MINUTES BEFORE ATTEMPTING TO RE-LIGHT IT.

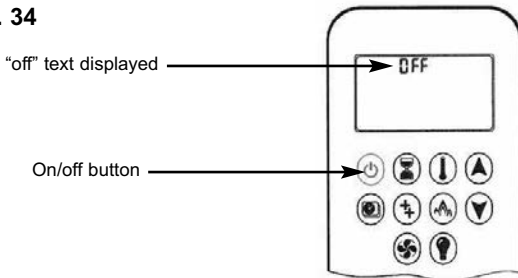
3.2.1.3 **To light the fire (without child proof feature activated)** press and hold the on / off button until you hear two consecutive beeps and a series of blinking lines confirms the ignition sequence has commenced as shown below in figure 33.

Fig. 33



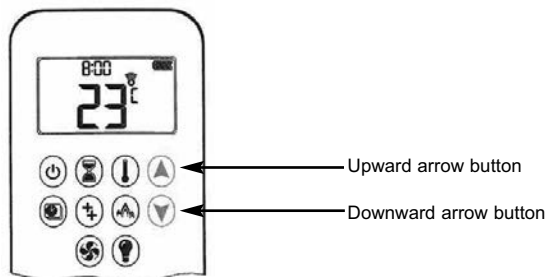
3.2.1.4 **To turn the fire off** press the on/ off button as displayed below in figure 34. The handset will display “off” in the text as shown in figure 34. When the “off” icon stops flashing (after 5 seconds) the fire can be lit again.

Fig. 34



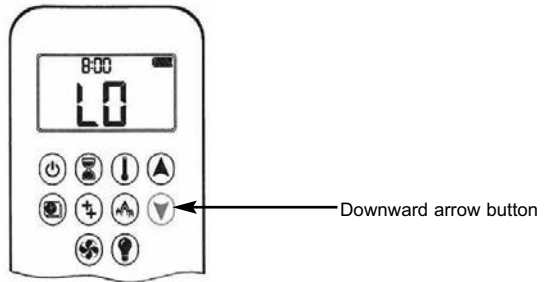
3.2.1.5 **To adjust the flame height** press the upward or downward arrow button as displayed below in figure 35. This will increase or decrease the flame height - NOTE : The fire lights at full flame height.

Fig. 35



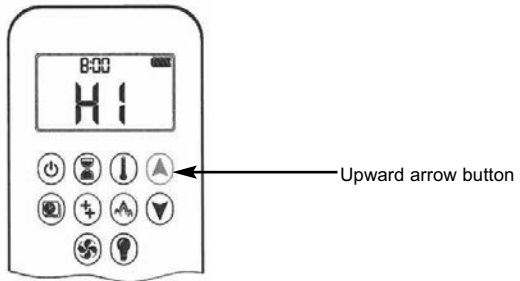
3.2.1.6 **To go to the designated “low fire” position** double click the downward arrow button. The handset will display the “LO” symbol on the display as shown below in figure 36.

Fig. 36



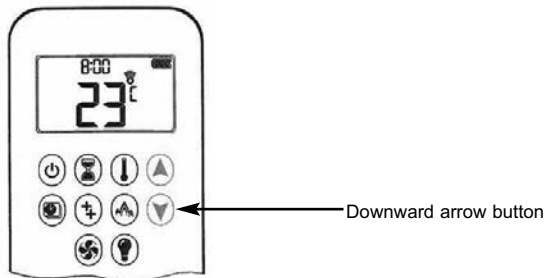
3.2.1.7 **To go to the designated “high fire” position** double click the upward arrow button. The handset will display the HI symbol on the display as shown below in figure 37.

Fig. 37



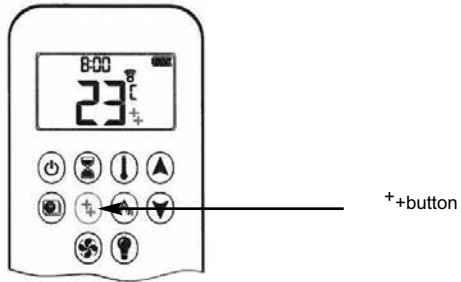
3.2.1.8 **To go to the designated “standby mode” position** press and hold the downward arrow button as shown below in figure 38.

Fig. 38



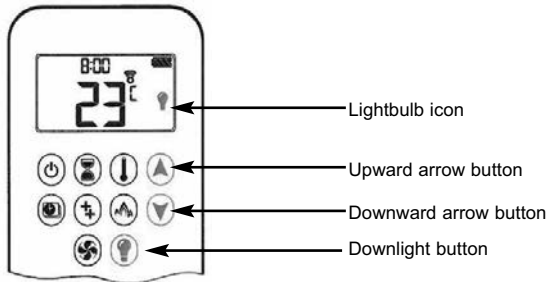
3.2.1.9 **To go to the designated “2nd burner” position** press and hold the ++button as shown below in figure 39.

Fig. 39



3.2.1.10 **To use the down-lights** press the lightbulb button as shown below in figure 40. To turn off the downlights press the same button again. If you wish to set the level of downlight between 20% and 100% press and hold the downlight button on the handset until the lightbulb icon on the display flashes then press the upward or downward arrow button as applicable to set the level. To confirm the setting press the downlight button.

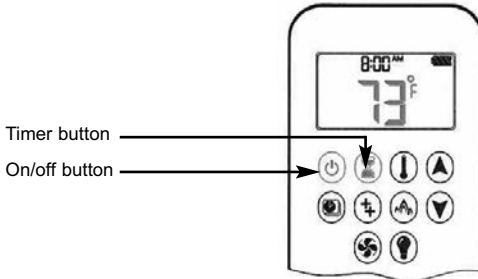
Fig. 40



3.2.2 Setting the handset display to Fahrenheit or Celsius

3.2.2.1 To change the display between °C and °F press the on/off button and the timer button simultaneously as shown below in figure 41.

Fig. 41

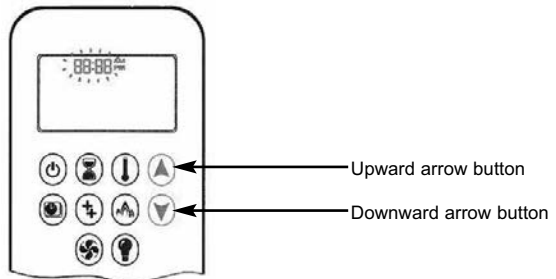


NOTE : Choosing °F results in a 12 hour clock. Choosing °C results in a 24 hour clock.

3.2.3 Setting the time on the handset display

3.2.3.1 Press the upward arrow button and downward arrow button simultaneously as shown below in figure 42.

Fig. 42



3.2.3.2 Day flashes on the handset display, press the upward arrow button or downward arrow button to select the number to correspond with the day of the week, i.e. 1 = Monday, 2 = Tuesday, 3 = Wednesday, 4 = Thursday, 5 = Friday, 6 = Saturday, 7 = Sunday.

3.2.3.3 Press the upward arrow button and downward arrow button simultaneously. **Hour** flashes, to select the hour use upward arrow button and downward arrow button as required.

3.2.3.4 Press the upward arrow button and downward arrow button simultaneously. **Minute** flashes, to select the minute use upward arrow button and downward arrow button as required.

3.2.3.5 To confirm the settings press the upward arrow button and downward arrow button simultaneously or wait a few seconds for the handset to automatically complete this process.

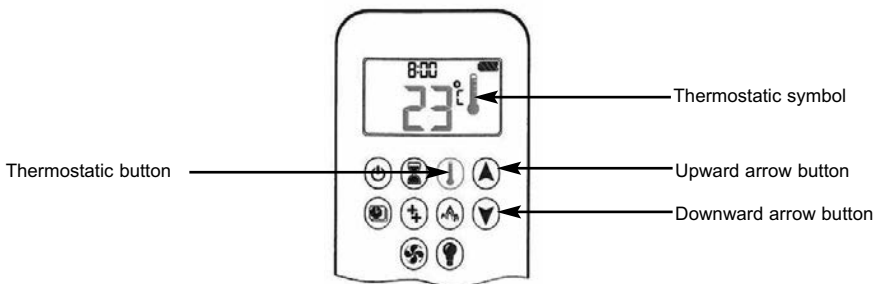
3.3.1 **Advanced Operation Modes of the Fire.**

3.3.1.1 There are three advanced modes of operation for the control, “Thermostatic Mode”, “Program Mode” and “Eco Mode”. Follow sections 3.3.2, 3.3.3 & 3.3.4 respectively for details of the method of operation. To utilise the countdown timer, see section 3.3.5

3.3.2 **Thermostatic mode** uses the handset to measure the room temperature compared to the set temperature. The flame height is then adjusted automatically to achieve the set temperature.

3.3.2.1 To enter thermostatic mode press the thermostat button on the handset the thermostatic symbol will display on the handset as shown below in figure 43, the preset temperature is displayed briefly then the current actual room temperature will be displayed.

Fig. 43



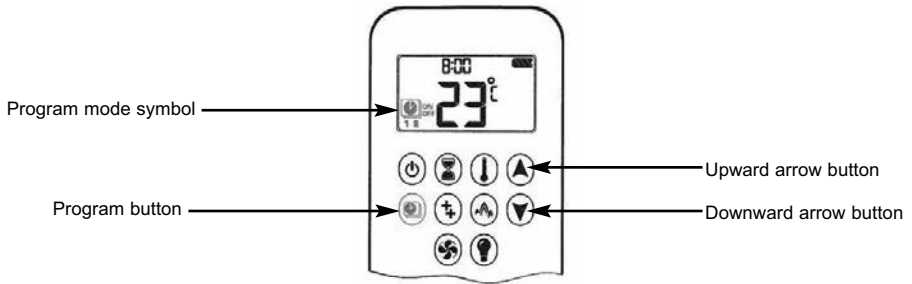
3.3.2.2 To set the temperature required press and hold the thermostat button as indicated above in figure 43 until the temperature display flashes and then adjust the temperature using the upward and downward arrow buttons as required. Press the thermostat button to confirm the temperature. NOTE : If the temperature set is below the current ambient temperature in the room the fire will automatically switch to standby mode (pilot only).

3.3.2.3 To exit thermostatic mode press the thermostat button followed by the upward or downward arrow button to re-enter manual mode.

3.3.3 **Program mode** uses three settings, a day setting, program 1 and program 2 which can each be programmed to set the fire to ignite and turn off at specific times at a set temperature.

3.3.3.1 To enter program mode press the program button on the handset, the program symbol will then display on the handset as shown below in figure 44, the set temperature for the on time is the one set in thermostatic mode. Changing the thermostatic temperature as detailed in section 3.3.2 changes the temperature whilst in the program mode.

Fig. 44



3.3.3.2 The default settings for program mode are as follows:-

On time (thermostatic) temperature is 21°C.

Off time temperature is "--" (standby mode, pilot flame only)

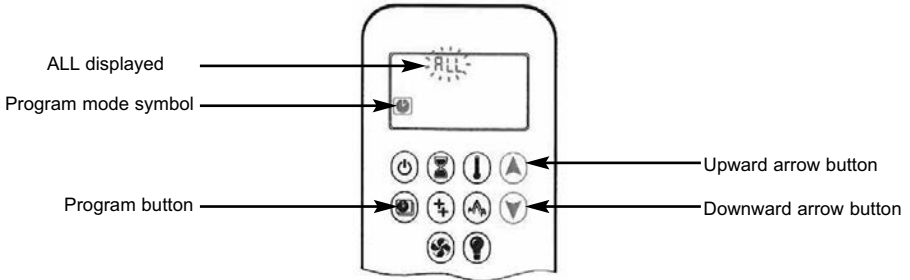
3.3.3.3 **To set the temperature** press the program button and hold until the program mode symbol as shown above in figure 47 flashes, then set the desired temperature (as per section 3.3.2)

3.3.3.4 To continue press the program button again, OFF will be displayed and the temperature will flash. Select the OFF temperature by using the upward and downward arrow buttons as shown above in figure 47, to confirm the setting press the program button.

NOTE : The ON (thermostatic) and OFF set temperatures are the same for each day.

3.3.3.5 **To set the day setting** after setting the temperature press the program button again and ALL flashes on the handset as shown overpage in figure 45.

Fig. 45

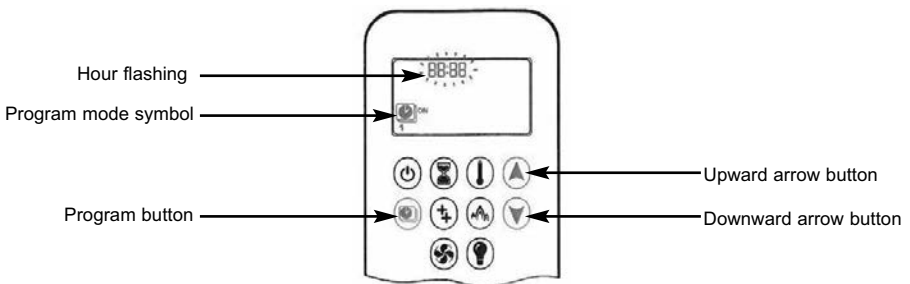


3.3.3.6 Press the upward and downward arrow buttons to choose between ALL, SA:SU, 1, 2, 3, 4, 5, 6, 7. Select the number to correspond with the day of the week, i.e. ALL = Everyday, SA:SU = Weekends only, 1 = Monday, 2 = Tuesday, 3 = Wednesday, 4 = Thursday, 5 = Friday, 6 = Saturday, 7 = Sunday.

3.3.3.7 To confirm the day setting, press the program button.

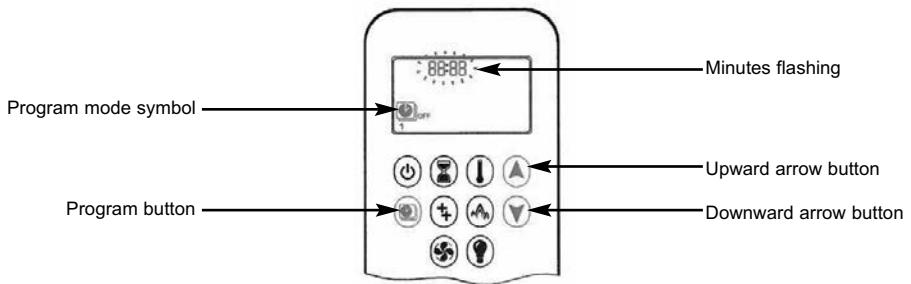
3.3.3.8 To set the ON TIME SETTING (PROGRAM 1) - With ALL selected the ON TIME SETTING (Program 1) can be input, with the program mode symbol button pressed and the ALL displayed on the handset display and the **hour** flashes. Select the hour by using the upward and downward arrow buttons, followed by pressing the program button to confirm. 1 ON will be displayed on the handset display and **minutes** flashes. Select the minutes by using the upward and downward arrow buttons, followed by pressing the program button to confirm. See figure 46 below.

Fig. 46



3.3.3.9 To set the OFF TIME SETTING (PROGRAM 1) - With ALL selected the OFF TIME SETTING (Program 1) can be input, with the program mode symbol pressed and the ALL displayed on the handset display and the **hour** flashes. Select the hour by using the upward and downward arrow buttons, followed by pressing the program button to confirm. 1 OFF will be displayed on the handset display and **minutes** flashes. Select the minutes by using the upward and downward arrow buttons, followed by pressing the program button to confirm. See figure 47 below.

Fig. 47



3.3.3.10 You can now either continue to PROGRAM 2 mode, repeating the steps as detailed in sections 3.3.3.8 & 3.3.3.9 or stop programming at this point and PROGRAM 2 will remain deactivated.

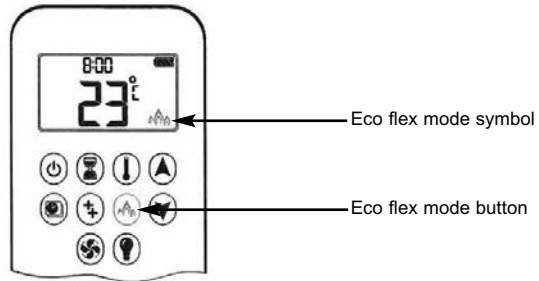
NOTE 1 : PROGRAM 1 and 2 use the same ON (thermostatic) and OFF temperatures for all ALL, SA:SU and Daily Timer (1, 2, 3, 4, 5, 6, 7). Once a new ON (thermostatic) and / or OFF temperature has been set, that temperature becomes the new default setting.

NOTE 2 : If ALL, SA:SU or Daily Timer are programmed for PROGRAM 1 and PROGRAM 2 ON and OFF times, these become the new default times. The batteries must be removed from the handset to clear the PROGRAM 1 and PROGRAM 2 ON and OFF times and temperature settings.

3.3.4 **Eco flex mode** allows the fire to modulate between the high and low gas input levels to give a live fire effect. If the room temperature is lower than the set temperature, the flame height will stay on the high setting for a longer period of time. If the room temperature is higher than the set temperature the flame height stays on low for a longer period of time. One Eco flex mode cycle lasts approximately 20 minutes. To activate Eco flex mode please see figure 48 overpage.

3.3.4.1 To activate **Eco flex mode** press the Eco flex mode button on the handset as shown below in figure 48.

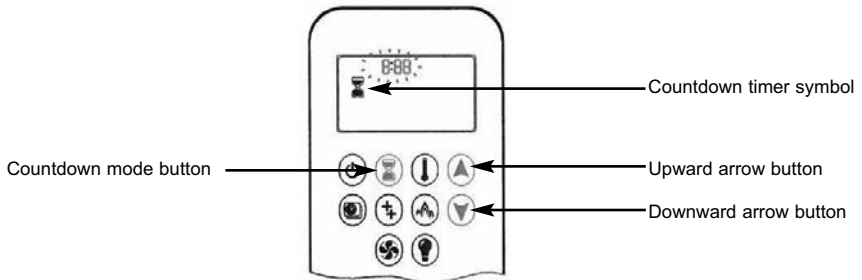
Fig. 48



3.3.4.2 To deactivate the **Eco flex mode** press the Eco flex mode button on the handset as shown above in figure 48, the handset will then revert to manual mode.

3.3.5 **Countdown Timer** allows the fire to be programmed to automatically shut down after a pre-determined period of time. To activate the countdown timer press and hold the timer button until the timer symbol is displayed on the handset as shown below in figure 49.

Fig. 49



3.3.6 The hour will flash on the handset, using the upward and downward arrow buttons select the time period in hours required then press the countdown mode button to confirm. Minutes will flash on the handset display, using the upward and downward arrow buttons select the time period in minutes required. To confirm, press the countdown mode button.

3.3.7 To cancel the countdown period press the countdown mode button.

NOTE : At the end of the countdown timer period, the fire shuts off. The countdown timer only works in Manual, Thermostatic and Eco modes. Maximum countdown time is 9 hours and 50 minutes.

3.4 FITTING THE HANDSET WALL BRACKET / DIMMER LIGHT BULBS

3.4.1 The wall bracket is supplied in the loose items pack and is optional to fit.

3.4.2 If fitting the wall bracket, **please be advised that the thermostatic sensor is contained within the handset itself, so the position of the wall bracket will therefore be the position of temperature measurement within the room.** To fit, position as necessary, mark hole positions, drill and secure with fixings provided.

3.4.3 Fit the bulbs as supplied in the loose items pack (into the surround design as applicable), wiring should be completed by a competent person into the V module in the base of the fire in accordance with section 2.4

3.5 INSTRUCTING THE USER / PRODUCT HANDOVER

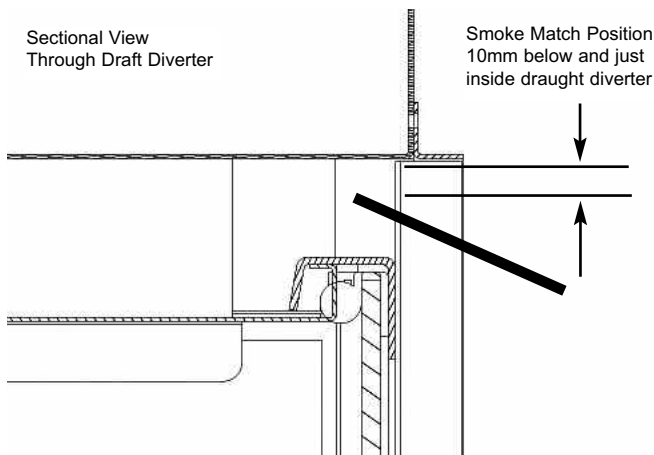
3.5.1 Instruct the user on the operation of the fire and the handset.

3.5.2 Hand the glass clamp over and advise the customer to store it in a safe place.

3.7 CHECKING FOR CLEARANCE OF COMBUSTION PRODUCTS

- 3.7.1 Close all doors and windows in the room.
- 3.7.2 Light the fire and allow to run for approximately 5 minutes on high position.
- 3.7.3 After approximately 5 minutes hold a smoke match just 10mm inside and below the centre of the lower front edge of the top of the fire, as shown below in figure 50. (It is recommended that a suitable smoke match holder is used when checking for clearance of combustion products). All smoke generated should be drawn back into the flue. If slight spillage occurs or if in doubt, repeat the test after a further 5-10 minutes. **If the test indicates that spillage is occurring and the flue restrictor baffle has been fitted, it should be removed as shown in section 3.4 and the test repeated after the fire has cooled.**
- 3.7.4 If spillage persists, the flue is not functioning correctly and a fault exists. If, after investigation the fault cannot be traced and rectified, the fire must be disconnected from the gas supply and expert advice obtained.
- 3.7.5 If there is an extractor fan fitted any where in the vicinity of the appliance, or in adjacent rooms the spillage test should be repeated with the fan running on maximum and all interconnecting doors open.
- 3.7.6 After ensuring that the fire is safe to use it should be left on high position to fully warm up. During this time a slight odour may be noticed, this is due to the “newness” of the fire and will soon disappear.

Fig. 50

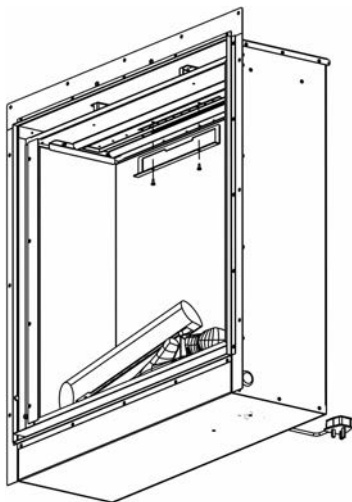


3.8 FITTING THE FLUE RESTRICTOR BAFFLE

3.8.1 The restrictor baffle as supplied in the loose items pack is secured with 2 off screws to the spigot area of the fire.

3.8.2 Fit / remove as necessary from the fire as shown below in figure 51.

Fig. 51



3.8.3 Check the clearance of combustion products after fitting the restrictor plate as shown in section 3.3

SECTION 4 MAINTENANCE

Servicing Notes

Servicing should be carried out annually by a competent person such as a GAS SAFE registered engineer. **This is a condition of the guarantee schemes.** The service should include visually checking the chimney and fire opening for accumulations of debris and a smoke test to check for a positive up-draught in the chimney. To access the debris collection void a removeable plate is positioned on the rear face of the firebox box behind the burner. The oxypilot and second thermocouple on the burner unit must also be changed as a condition of the guarantee. The condition of the fuel-bed should be checked and **if necessary the whole item should be replaced with a genuine replacement item.** The burner assembly is designed to be removed as a complete unit for ease of access. **After any servicing work a gas tightness check must always be carried out.**

BEFORE ANY SERVICING WORK IS CARRIED OUT ENSURE THE PRODUCT HAS BEEN DISCONNECTED FROM THE ELECTRICITY SUPPLY. ALL ELECTRICAL REPAIR WORK MUST BE CARRIED OUT BY A COMPETENT, QUALIFIED ELECTRICIAN.

For Diagrams refer to Section 2

4.1 Removing / Replacing the burner assembly from the fire.

4.1.1 Prepare work area (lay down dust sheets etc.)

4.1.2 Remove the glass assembly as, remove the ceramic logs from the burners. Remove the vermiculite material.

4.1.3 Remove the gas supply cover plate from the left hand side of the burner mounting plate. Isolate the gas supply and remove the supply pipe from the appliance inlet elbow. Unscrew and remove the four off screws which retain the burner mounting plate to the base, then lift clear. Disconnect the wiring loom taking care not to damage the wiring.

4.1.4 To refit the burner assembly, locate the burner unit and refit the four off screws. Refit the gas supply pipe and carry out a gas tightness test. Refit the fuel-bed referring to section 3 for the correct log positions. Re-fit the glass frame assembly.

4.2 Removing / Replacing the Gas Control Valve

4.2.1 Remove the burner assembly as detailed in section 4.1, remove the burner base plate as detailed in section 2.2.1.1.

4.2.2 Remove the thermocouple retaining nut from the valve, remove the main pipe, inlet pipe, pilot pipe and thermocouple interrupter / wires from the valve.

4.2.3 Remove the valve retaining screws and remove the valve. Re-assemble in reverse order and carry out a gas tightness test.

4.3 Removing / Replacing the Pilot Assembly.

Note : Because this appliance is fitted with an atmosphere sensing ‘Oxy-Pilot’ it is not possible to replace the thermocouple separately, because the thermocouple position is factory set to a tight tolerance. Any replacement of parts on the pilot requires a complete new pilot assembly.

4.3.1 Prepare work area (lay down dust sheets etc.)

4.3.2 Remove the glass frame assembly as shown in section 2.2 and put it in a safe location, remove burner assembly and base plate.

4.3.3 Loosen the pilot nut and remove the two screws retaining the pilot assembly. Unscrew the thermocouple from the gas valve.

4.3.4 Re-assemble in reverse order and carry out a gas tightness test.

4.4 Removing / Replacing the Radio Frequency Receiver.

4.4.1 Prepare work area (lay down dust sheets etc.)

4.4.2 The RF receiver is located on the burner unit. Remove the RF receiver (located in a slide in bracket), disconnect the wiring looms. Re-assemble in reverse order.

4.4.3 Replace in reverse order and check correct operation of the appliance.

4.4.4 A new receiver will require coding to the handset, to do this, press and hold the “reset” button until you hear 2 beeps, the 1st beep is short, the second beep is long. After the second beep, release the reset button. Within the next 20 seconds press the small flame button the handset until you hear 2 additional short beeps that confirm the code is set.

Note : The handset uses two AAA batteries and should be replaced by removing the cover on the rear of the handset.

4.5 Replacing the Batteries in the Handset.

4.5.1 Remove and re-fit the new 3 off AAA batteries by removing the cover on the back of the handset.

4.6 Checking for Flue Debris.

4.6.1 Remove the burner assembly as detailed in section 4.1

4.6.2 Locate the removeable backplate on the rear face of the firebox at the bottom.

4.6.3 Remove the 2 screws that hold the removeable backplate on the rear face of the firebox.

4.6.4 Remove any debris.

4.6.5 Replace the removeable backplate on the rear face of the firebox.

4.6.6 Re-assemble in reverse order and carry out a gas tightness test.

4.7 Removing / Replacing the Second Thermocouple

4.7.1 Remove the burner assembly as detailed in section 4.1

4.7.2 Locate the second thermocouple behind the central burner unit. Loosen the grub screw to release the thermocouple from the mounting bracket.

4.7.3 Disconnect the thermocouple and the interrupter leads from the receiver unit.

4.7.4 Replace in reverse order and carry out a gas tightness test.

4.8 Removing / Replacing the Solenoid Valve

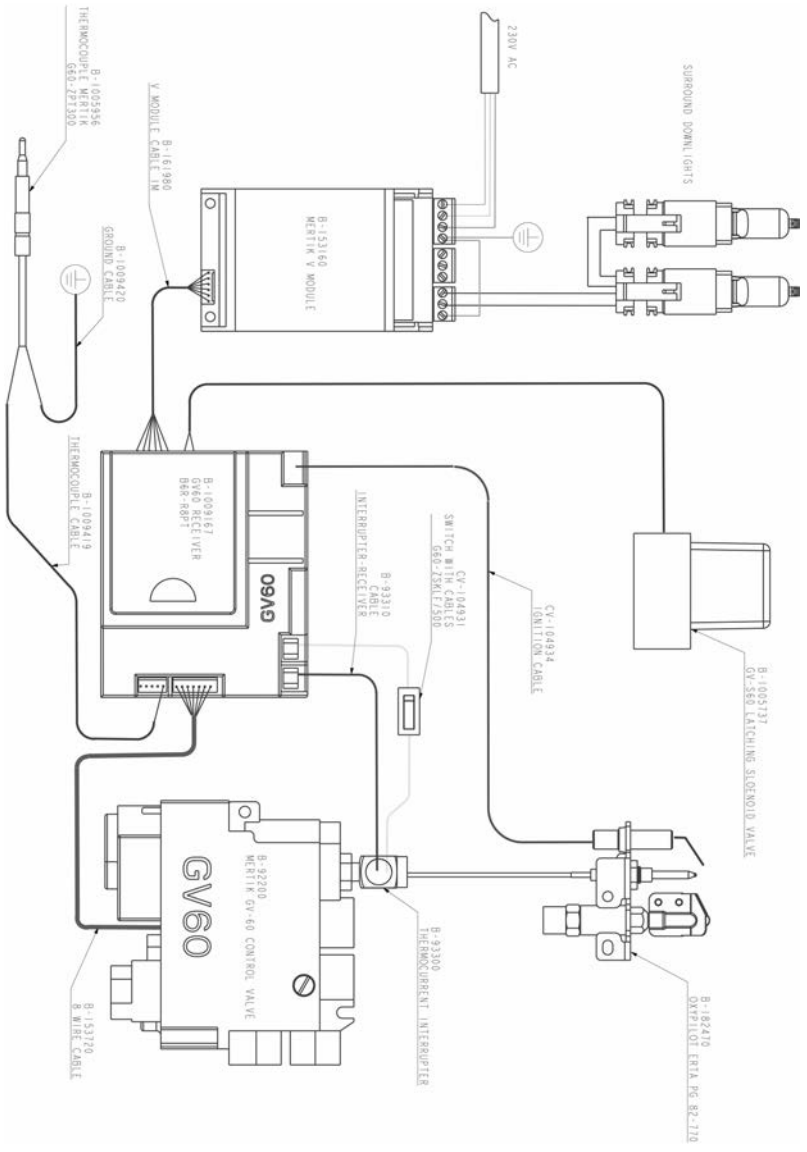
4.8.1 Remove the burner assembly as detailed in section 4.1

4.8.2 Disconnect the wiring loom which runs to the receiver unit.

4.8.3 Disconnect the solenoid from the main gas by unscrewing the solenoid.

4.8.4 Replace in reverse order and carry out a gas tightness test.

4.9 Wiring Diagram



4.10

Spare Parts List

SP10676	GV60 Gas control valve
B-93300	GV60 Thermocouple Interrupter
B-1009167	GV60 Receiver unit
B-153160	GV60 Control module
B-1009194	GV60 Remote control thermostatic handset
B-153720	GV60 8 wire cable
B-161980	GV60 V module control cable
CV-104931	GV60 On/off switch with cables
B-1005737	GV60 Latching solenoid valve
B-1009419	GV60 Cable thermocouple
B-1009420	GV60 Cable ground
B-1005956	GV60 Second thermocouple
CV-104934	Ignition cable
B-182470	ERTA PG-82-770 NG ODS pilot assembly
B-1009157	Main burner injector Cat 82 size 240
B-153080	2 metre mains cable
1181-186610	Glass frame assembly
B-1007908	Complete log set
B-1006147	Log "A" only
B-1006149	Log "B" only
B-1006151	Log "C" only
B-1000661	Pair of Small Log Fragments (Charred)
B-1000662	Pair of Large Log Fragments (Charred)
CV-107116	Bag of vermiculite (2 off bags per product)

SECTION FIVE - USER INSTRUCTIONS

5.1 INSTALLATION INFORMATION

CONDITIONS OF INSTALLATION

It is the law that all gas appliances are installed only by a competent (e.g. Registered) Installer, in accordance with the installation instructions and the Gas Safety (Installation and Use) Regulations 1998. Failure to install appliances correctly could lead to prosecution. It is in your own interest and that of safety to comply with the law.

The fire may be fitted below a combustible shelf provided that the shelf is at least 200mm above the top of the appliance and the depth of the shelf does not exceed 150mm.

The fire may be installed below combustible shelves which exceed 150mm deep providing that the clearance above the fire is increased by 15mm for each 25mm of additional overhang in excess of 150mm.

This appliance has an input above 7kW and therefore requires additional ventilation with a minimum open area of 17.5cm². If spillage is encountered during installation however this may indicate insufficient natural ventilation and this ventilation size may require increasing accordingly.

When Installing in I.E. please consult document I.S. 813 : 1996 Domestic Gas Installation, which is issued by the National Standards Authority of Ireland. If installing in Northern Ireland, please consult local building regulations. Any purpose made ventilation must be checked periodically to ensure that it is free from obstruction.

If the chimney or flue has been previously used by appliances burning fuels other than gas they must be swept prior to the installation of this fire.

If this appliance is fitted directly on to a wall without the use of a fireplace or surround, soft wall coverings such as wallpaper, blown vinyl etc. could be affected by the heat and hot convection air and may discolour or scorch. This should be considered when installing or decorating.

The Model number of this appliance is as stated on the rating plate affixed to the control panel of the fire and the appliance is manufactured by:-

BFM Europe Ltd
Trentham Lakes
Stoke on Trent
ST4 4TJ

5.2 ABOUT YOUR NEW DA VINCI MK3 GAS FIRE

The Collection “Da Vinci” MK3 log effect gas fire incorporates a unique and highly developed fuel bed which gives the realism of a loose log layout combined with realistic flames and glow. The use of durable ceramic material in the construction of the fuelbed components ensures long and trouble free operation.

Please take the time to fully read these instructions as you will then be able to obtain the most effective and safe operation of your fire.

IMPORTANT SAFETY INFORMATION

WARNING

This appliance is a heating appliance and as with all heating appliances a fireguard should be used for the protection of children, the elderly and infirm. Fireguards should conform to B.S. 8423 : 2002 (Fireguards for use with gas heating appliances).

It is important that this appliance is serviced at least once a year by a GAS SAFE registered engineer. During the annual service, replacement of the oxy-pilot and second thermocouple must be carried out. **This is a condition of the manufacturers guarantee.** Any debris or deposits should be removed from the fuel bed from time to time. This may be carried out by referring to the cleaning section as described later in this book. Only the correct number and type of logs must be used and only complete and genuine replacement sets must be used. Always keep furniture and combustible materials well clear of the fire and never dry clothing or items either on or near to the fire. Never use aerosols or flammable cleaning products near to the fire when it is in use.

The ceramic fuel bed remains hot for a considerable period after use and sufficient time should be allowed for the fire to cool before cleaning etc.

IMPORTANT : DO NOT UNDER ANY CIRCUMSTANCES USE THIS FIRE IF THE GLASS PANEL IS BROKEN, CRACKED OR MISSING.

IMPORTANT : THIS APPLIANCE IS NOT INTENDED FOR USE BY PERSONS (INCLUDING CHILDREN) WITH REDUCED PHYSICAL, SENSORY OR MENTAL CAPABILITIES, OR LACK OF EXPERIENCE AND KNOWLEDGE, UNLESS THEY HAVE BEEN GIVEN SUPERVISION OR INSTRUCTION CONCERNING USE OF THE APPLIANCE BY A PERSON RESPONSIBLE FOR THEIR SAFETY. CHILDREN SHOULD BE SUPERVISED TO ENSURE THAT THEY DO NOT PLAY WITH THE APPLIANCE. ANY ELECTRICAL WORK MUST BE CARRIED OUT BY A COMPETENT, QUALIFIED ELECTRICIAN.

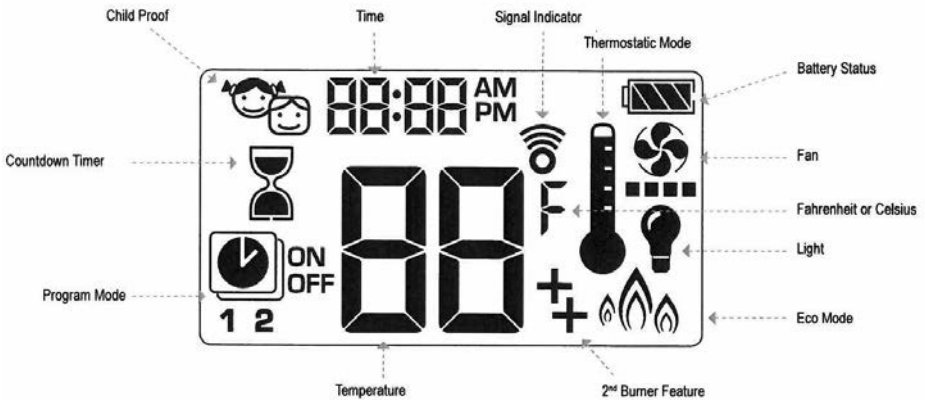
5.3 OPERATING THE FIRE

IMPORTANT : IF THE BURNER IS EXTINGUISHED FOR ANY REASON YOU MUST ENSURE THAT YOU WAIT A FULL FIVE MINUTES BEFORE ATTEMPTING TO RE-LIGHT THE FIRE.

The product is controlled by the remote handset supplied with the fire. Ensure the 2 off AAA batteries as supplied in the loose items pack has been fitted to the remote handset before attempting to use the handset.

The remote handset makes it possible to control the features on the fire as illustrated below in figure 1.

Fig. 1



If young persons are present in the property to which the appliance is installed the child proof feature must be activated. To activate the child proof feature press the on/off button and the downward arrow button simultaneously as displayed below in figure 2. The child proof symbol will illuminate on the handset display as indicated and the handset will be rendered inoperable with the exception of the "OFF" function.

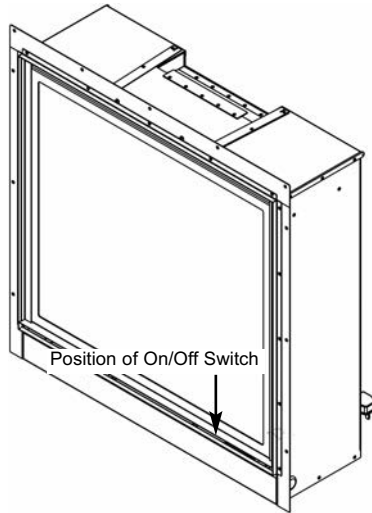
Fig. 2



5.3.1 Basic Operation of the Fire in Manual Mode

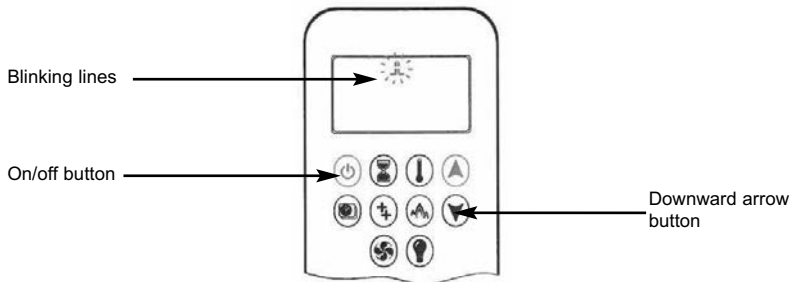
- 5.3.1.1 Locate the ON/OFF switch on the appliance, it is situated below the convection air grill adjacent to the gas inlet elbow. Ensure that the on / off switch on the valve is in the “ON” (1) position as shown below in figure 3.

Fig. 3



- 5.3.1.2 **To light the fire (with child proof feature activated)** press and hold the on / off button and the downwards arrow button to deactivate the child lock. Press the ON / OFF button until you hear two consecutive beeps and a series of blinking lines confirms the ignition sequence has commenced as shown below in figure 4.

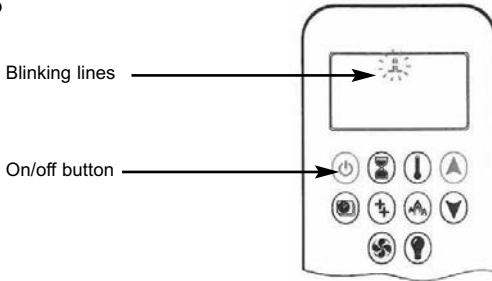
Fig. 4



WARNING : IF THE FIRE FAILS TO LIGHT OR THE FLAMES EXTINGUISH DURING USE, WAIT A MINIMUM OF FIVE MINUTES BEFORE ATTEMPTING TO RE-LIGHT IT.

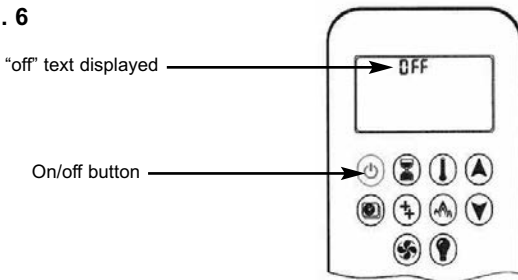
5.3.1.3 **To light the fire (without child proof feature activated or it deactivated)** press and hold the on / off button until you hear two consecutive beeps and a series of blinking lines confirms the ignition sequence has commenced as shown below in figure 5.

Fig. 5



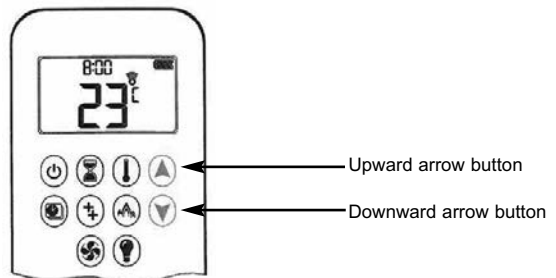
5.3.1.4 **To turn the fire off** press the on/ off button as displayed below in figure 6. The handset will display "off" in the text as shown in figure 6. When the "off" icon stops flashing (after 5 seconds) the fire can be lit again.

Fig. 6



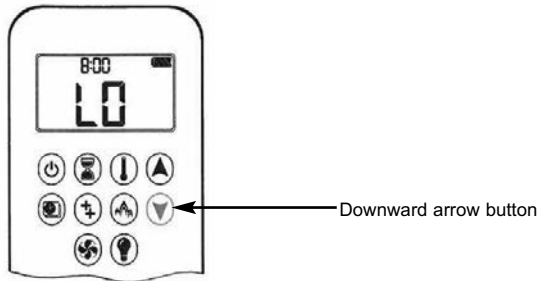
5.3.1.5 **To adjust the flame height** press the upward or downward arrow button as displayed below in figure 7. This will increase or decrease the flame height - NOTE : The fire lights at full flame height.

Fig. 7



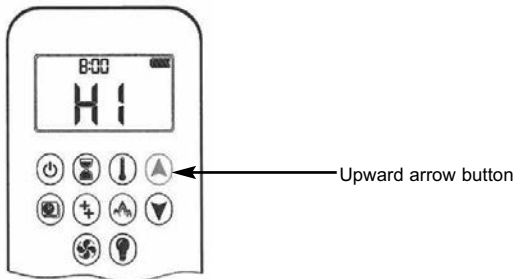
5.3.1.6 **To go to the designated “low fire” position** double click the downward arrow button. The handset will display the “LO” symbol on the display as shown below in figure 8.

Fig. 8



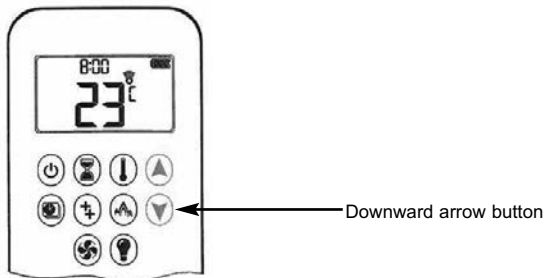
5.3.1.7 **To go to the designated “high fire” position** double click the upward arrow button. The handset will display the HI symbol on the display as shown below in figure 9.

Fig. 9



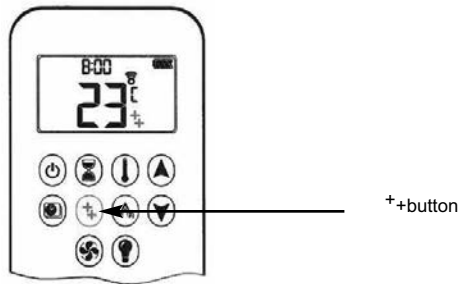
5.3.1.8 **To go to the designated “standby mode” position** press and hold the downward arrow button as shown below in figure 10.

Fig. 10



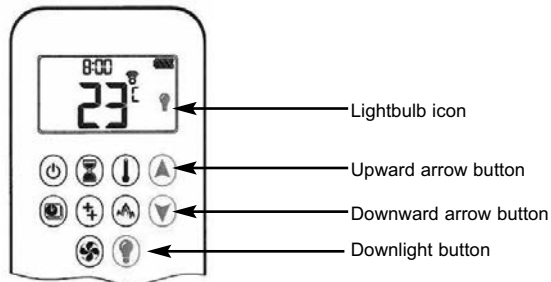
5.3.1.9 **To go to the designated “2nd burner” position** press and hold the ++button as shown below in figure 11.

Fig. 11



5.3.1.10 **To use the down-lights** press the lightbulb button as shown below in figure 12. To turn off the downlights press the same button again. If you wish to set the level of downlight between 20% and 100% press and hold the downlight button on the handset until the lightbulb icon on the display flashes then press the upward or downward arrow button as applicable to set the level. To confirm the setting press the downlight button.

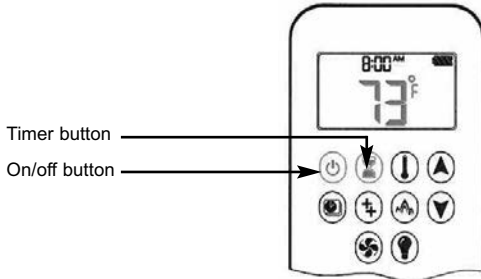
Fig. 12



5.3.2 Setting the handset display to Fahrenheit or Celsius

5.3.2.1 To change the display between °C and °F press the on/off button and the timer button simultaneously as shown below in figure 13.

Fig. 13

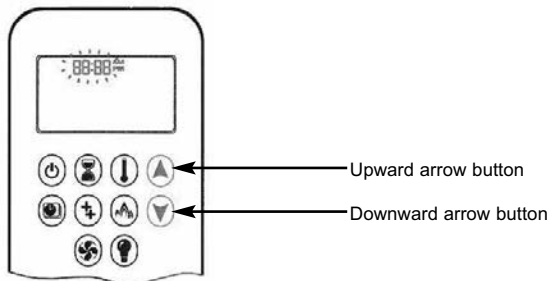


NOTE : Choosing °F results in a 12 hour clock. Choosing °C results in a 24 hour clock.

5.3.3 Setting the time on the handset display

5.3.3.1 Press the upward arrow button and downward arrow button simultaneously as shown below in figure 14.

Fig. 14



5.3.3.2 Day flashes on the handset display, press the upward arrow button or downward arrow button to select the number to correspond with the day of the week, i.e. 1 = Monday, 2 = Tuesday, 3 = Wednesday, 4 = Thursday, 5 = Friday, 6 = Saturday, 7 = Sunday.

5.3.3.3 Press the upward arrow button and downward arrow button simultaneously. **Hour** flashes, to select the hour use upward arrow button and downward arrow button as required.

5.3.3.4 Press the upward arrow button and downward arrow button simultaneously. **Minute** flashes, to select the minute use upward arrow button and downward arrow button as required.

5.3.3.5 To confirm the settings press the upward arrow button and downward arrow button simultaneously or wait a few seconds for the handset to automatically complete this process.

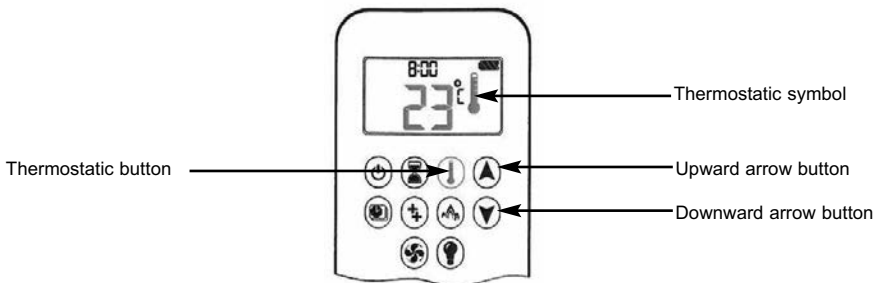
5.4 **Advanced Operation Modes of the Fire.**

5.4.1 There are three advanced modes of operation for the control, “Thermostatic Mode”, “Program Mode” and “Eco Mode”. Follow sections 5.4.2, 5.4.3 & 5.4.4 respectively for details of the method of operation. To utilise the countdown timer, see section 5.4.5

5.4.2 **Thermostatic mode** uses the handset to measure the room temperature compared to the set temperature. The flame height is then adjusted automatically to achieve the set temperature.

5.4.2.1 To enter thermostatic mode press the thermostat button on the handset the thermostatic symbol will display on the handset as shown below in figure 15, the preset temperature is displayed briefly then the current actual room temperature will be displayed.

Fig. 15



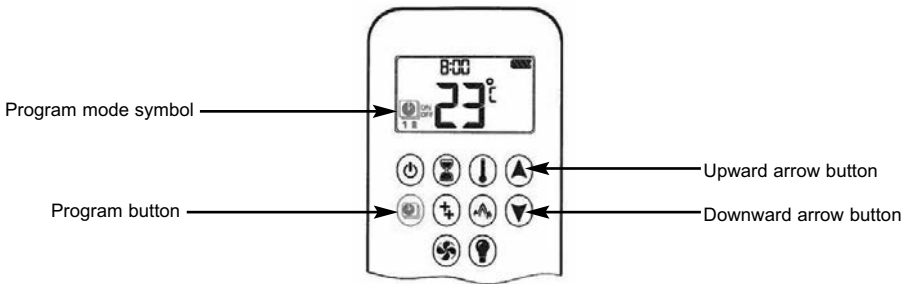
5.4.2.2 To set the temperature required press and hold the thermostat button as indicated above in figure 15 until the temperature display flashes and then adjust the temperature using the upward and downward arrow buttons as required. Press the thermostat button to confirm the temperature. **NOTE** : If the temperature set is below the current ambient temperature in the room the fire will automatically switch to standby mode (pilot only).

5.4.2.3 To exit thermostatic mode press the thermostat button followed by the upward or downward arrow button to re-enter manual mode.

5.4.3 **Program mode** uses three settings, a day setting, program 1 and program 2 which can each be programmed to set the fire to ignite and turn off at specific times at a set temperature.

5.4.3.1 To enter program mode press the program button on the handset, the program symbol will then display on the handset as shown below in figure 16, the set temperature for the on time is the one set in thermostatic mode. Changing the thermostatic temperature as detailed in section 5.4.2 changes the temperature whilst in the program mode.

Fig. 16



5.4.3.2 The default settings for program mode are as follows:-

On time (thermostatic) temperature is 21°C.

Off time temperature is "--" (standby mode, pilot flame only)

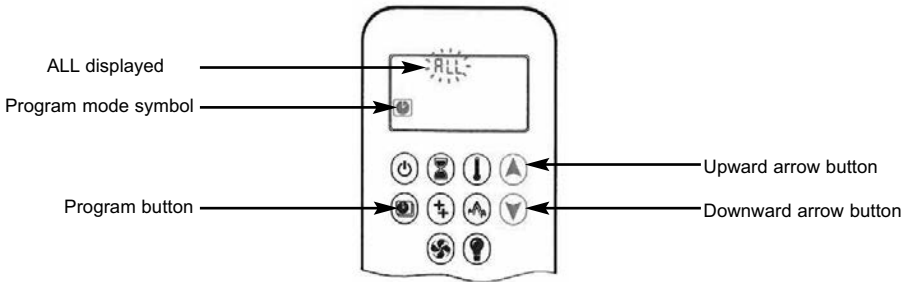
5.4.3.3 **To set the temperature** press the program button and hold until the program mode symbol as shown above in figure 47 flashes, then set the desired temperature (as per section 3.3.2)

5.4.3.4 To continue press the program button again, OFF will be displayed and the temperature will flash. Select the OFF temperature by using the upward and downward arrow buttons as shown above in figure 16, to confirm the setting press the program button.

NOTE : The ON (thermostatic) and OFF set temperatures are the same for each day.

5.4.3.5 **To set the day setting** after setting the temperature press the program button again and ALL flashes on the handset as shown overpage in figure 17.

Fig. 17

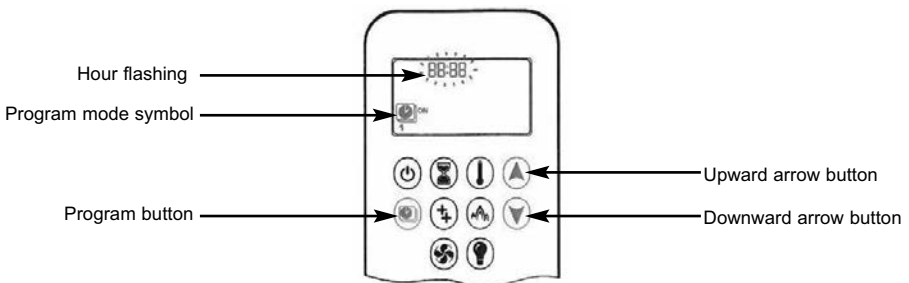


5.4.3.6 Press the upward and downward arrow buttons to choose between ALL, SA:SU, 1, 2, 3, 4, 5, 6, 7. Select the number to correspond with the day of the week, i.e. ALL = Everyday, SA:SU = Weekends only, 1 = Monday, 2 = Tuesday, 3 = Wednesday, 4 = Thursday, 5 = Friday, 6 = Saturday, 7 = Sunday.

5.4.3.7 To confirm the day setting, press the program button.

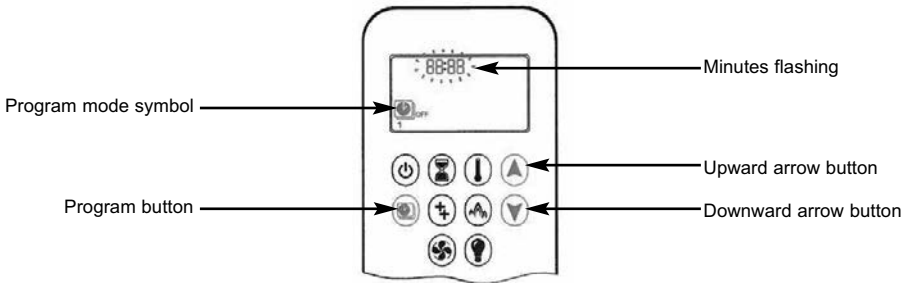
5.4.3.8 To set the ON TIME SETTING (PROGRAM 1) - With ALL selected the ON TIME SETTING (Program 1) can be input, with the program mode symbol button pressed and the ALL displayed on the handset display and the **hour** flashes. Select the hour by using the upward and downward arrow buttons, followed by pressing the program button to confirm. 1 ON will be displayed on the handset display and **minutes** flashes. Select the minutes by using the upward and downward arrow buttons, followed by pressing the program button to confirm. See figure 18 below.

Fig. 18



5.4.3.9 To set the OFF TIME SETTING (PROGRAM 1) - With ALL selected the OFF TIME SETTING (Program 1) can be input, with the program mode symbol pressed and the ALL displayed on the handset display and the **hour** flashes. Select the hour by using the upward and downward arrow buttons, followed by pressing the program button to confirm. 1 OFF will be displayed on the handset display and **minutes** flashes. Select the minutes by using the upward and downward arrow buttons, followed by pressing the program button to confirm. See figure 19 below.

Fig. 19



5.4.3.10 You can now either continue to PROGRAM 2 mode, repeating the steps as detailed in sections 5.4.3.8 & 5.4.3.9 or stop programming at this point and PROGRAM 2 will remain deactivated.

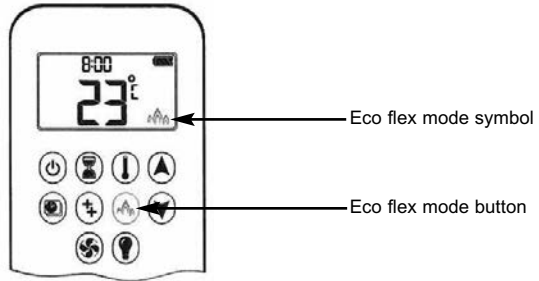
NOTE 1 : PROGRAM 1 and 2 use the same ON (thermostatic) and OFF temperatures for all ALL, SA:SU and Daily Timer (1, 2, 3, 4, 5, 6, 7). Once a new ON (thermostatic) and / or OFF temperature has been set, that temperature becomes the new default setting.

NOTE 2 : If ALL, SA:SU or Daily Timer are programmed for PROGRAM 1 and PROGRAM 2 ON and OFF times, these become the new default times. The batteries must be removed from the handset to clear the PROGRAM 1 and PROGRAM 2 ON and OFF times and temperature settings.

5.4.4 **Eco flex mode** allows the fire to modulate between the high and low gas input levels to give a live fire effect. If the room temperature is lower than the set temperature, the flame height will stay on the high setting for a longer period of time. If the room temperature is higher than the set temperature the flame height stays on low for a longer period of time. One Eco flex mode cycle lasts approximately 20 minutes. To activate Eco flex mode please see figure 20 overpage.

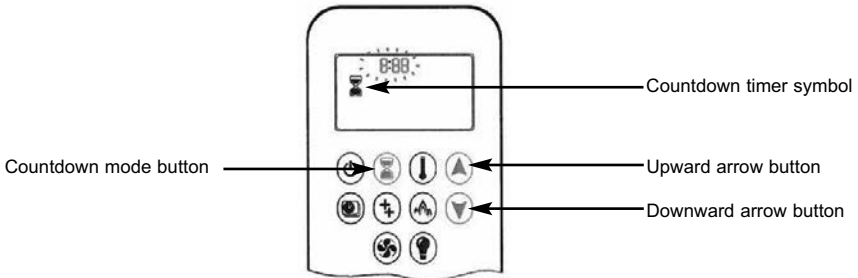
5.4.4.1 To activate **Eco flex mode** press the Eco flex mode button on the handset as shown below in figure 20.

Fig. 20



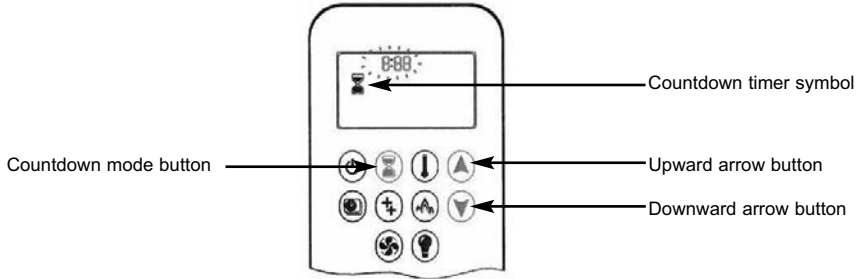
5.4.4.2 To deactivate the **Eco flex mode** press the Eco flex mode button on the handset as shown above in figure 21, the handset will then revert to manual mode.

Fig. 21



5.4.5 **Countdown Timer** allows the fire to be programmed to automatically shut down after a pre-determined period of time. To activate the countdown timer press and hold the timer button until the timer symbol is displayed on the handset as shown below in figure 22.

Fig. 22



5.4.6 The hour will flash on the handset, using the upward and downward arrow buttons select the time period in hours required then press the countdown mode button to confirm. Minutes will flash on the handset display, using the upward and downward arrow buttons select the time period in minutes required. To confirm, press the countdown mode button.

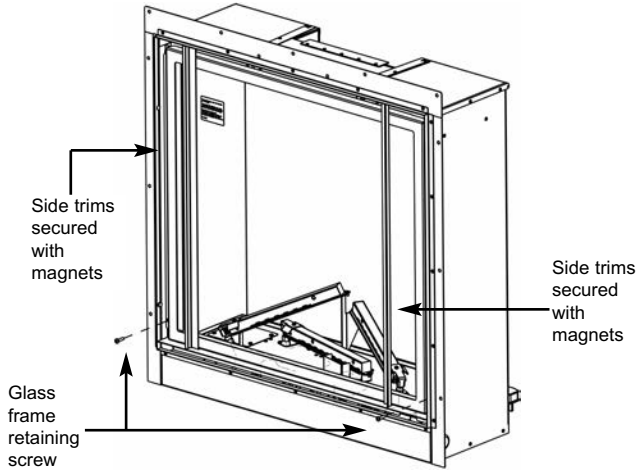
5.4.7 To cancel the countdown period press the countdown mode button.

NOTE : At the end of the countdown timer period, the fire shuts off. The countdown timer only works in Manual, Thermostatic and Eco modes. Maximum countdown time is 9 hours and 50 minutes.

5.5 REMOVING / REPLACING THE GLASS PANEL

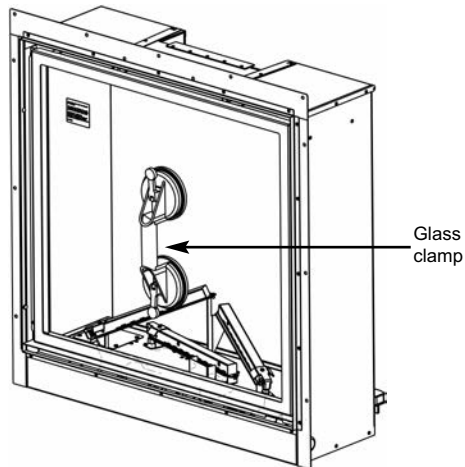
- 5.5.1 Remove both the side trims which are held in place by the magnets then remove the glass frame securing screws as below in figure 23

Fig. 23



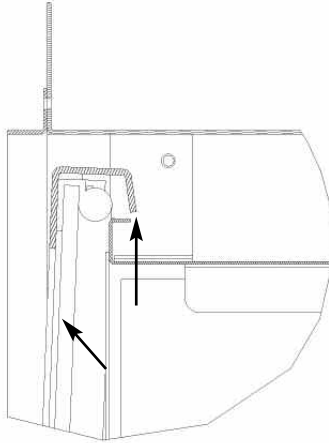
- 5.5.2 Secure the glass clamp to the glass panel as shown below in figure 24, to remove. See figure 25 overpage which shows how the glass frame is located on the top of the combustion chamber.

Fig. 24



- 5.5.3 Unhook the glass panel from the top retaining channel by lifting towards you as shown below in figure 25 (sectional view shown through product for clarity).

Fig. 25



- 5.5.4 Store the glass frame assembly in a safe place.
- 5.5.5 Re-assemble in reverse order when re-fitting the glass assembly.
- 5.5.6 Ensure that the glass assembly is correctly located on the top flange of the combustion chamber, this can be achieved by putting your hand onto the top edge of the glass frame inside the convection air aperture and pushing down firmly to check the glass frame is correctly located.**

DO NOT OPERATE THE FIRE WITHOUT THE GLASS FRAME ASSEMBLY IN POSITION OR NOT CORRECTLY LOCATED.

5.6 REMOVAL & REPLACEMENT OF THE LOGS

- 5.6.1 Due to the logs being an integral part of the burner system in this product they must only be removed and replaced by competent persons in accordance with section 3.1

5.7 CLEANING INSTRUCTIONS

Before attempting any cleaning operation ensure that the fire has been allowed to fully cool. **Ensure the fire is disconnected from the electricity supply before commencing any cleaning operations.**

5.7.1 CLEANING THE METAL PAINTED PARTS

These metal painted parts should only be cleaned using a clean, damp cloth. **Abrasive cleaners, chemical cleaning agents or any type of polish must never be used as damage to the finish may result.**

5.7.2 CLEANING THE FUEL BED

We do not recommend cleaning of logs or fuelbed components as these are fragile and damage may result. **Minor soot deposits can be removed with a soft brush and suitable vacuum cleaner. None of these parts must be washed or exposed to any cleaning agents or water.** Any damaged parts must be replaced by contacting your dealer or telephoning BFM Fires on the number stated on the rear cover of this book. Logs must only be replaced with a complete and genuine replacement set and the fire must never be run with the wrong number or damaged logs. The fuelbed must be carefully re-assembled by a competent person as detailed in section 3.1

5.7.3 CLEANING THE GLASS

This product is equipped with non-reflective glass which must be cleaned as follows or irreparable damage to the coating on the glass panel will occur. The manufacturers warranty will not cover damage by incorrect cleaning methods.

DO NOT USE ceramic glass cleaning agents.
DO NOT USE sharp objects or blades to remove marks.
DO NOT USE dry cloths or wipes.

DO USE normal glass cleaner such as "Sidolin".
DO USE soft glass wipes.
DO USE damp cloths.

PLEASE NOTE :- The glass will require cleaning periodically. Condensation produced by the products of combustion will create marks on the inside face of the glass panel.

5.8 USER REPLACEABLE PARTS LIST

1181-186610 Glass frame assembly

Part No. B-1009863
Issue 7

The Collection

by MICHAEL MILLER

BFM Europe Ltd.
Trentham Lakes
Stoke-on-Trent
Staffordshire
ST4 4TJ

www.bfm-europe.com

Telephone - General Enquiries : (01782) 339000
Telephone - Service : (01782) 339008